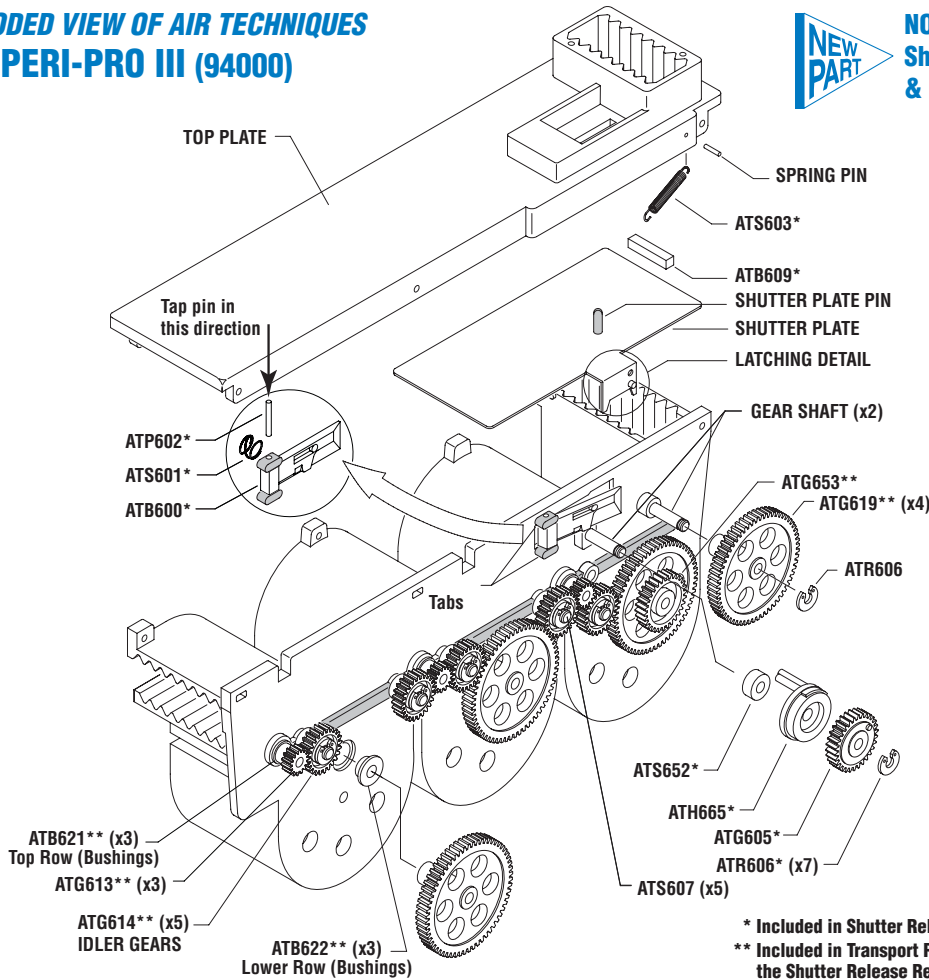


**EXPLODED VIEW OF AIR TECHNIQUES
PERI-PRO III (94000)**



**NOW AVAILABLE!
Shutter Release Repair Kit
& Transport Repair Kit!**



* Included in Shutter Release Repair Kit (RPI Part #ATK664)
** Included in Transport Repair Kit (RPI Part #ATK663) PLUS
the Shutter Release Repair Kit is also include in this Kit!

RPI PART #	OEM PART #	DESCRIPTION	KIT QTY	Reorder PKG QTY	PERI-PRO III	NOTES
ATK663	94988	TRANSPORT REPAIR KIT		1	●	<i>Includes all parts listed below</i>
ATB616	90522	TRANSFER ARM BEARING	3	3	●	Fits: Transfer Arm Assemblies
ATB621	90523	"L" TRANSFER ARM BUSHING	6	6	●	Fits: Upper rows; .188" dia. shaft
ATB622	90524	TRANSFER ARM BUSHING	6	6	●	Fits: Lower rows; .250" shaft Now includes 6 per package
ATG613	90525	"L" TRANSFER ARM GEAR	3	3	●	15 teeth; .171" ID x .70" OD
ATG614	90519	IDLER GEAR	5	5	●	24 teeth; .250" ID x 1.08" OD UPDATED Now includes 5 per package
ATG615	90518	TRANSFER ARM GEAR	3	3	●	24 teeth; .250" ID x 1.08" OD
ATG619	90517	TRANSFER ARM GEAR	4	1	●	60 teeth; .250" ID x 2.57" OD
ATG620	90516	TRANSFER GEAR	3	3	●	24 teeth; .250" ID x 1.08" OD
ATG653	94501	SPEED REDUCER GEAR	1	1	●	30 teeth
ATK664	(No OEM Part # Available)	SHUTTER RELEASE REPAIR KIT	1	1	●	<i>See below for all parts included in this Kit</i>
ATR606	90543	PLASTIC SNAP RING	10	10	●	
ATK664	(No OEM Part # Available)	SHUTTER RELEASE REPAIR KIT		1	●	<i>Includes all parts listed below</i>
ATB600	90548	SHUTTER RELEASE BAR	1	1	●	New Steel Stopper Pin for better performance
ATB609	90546	RUBBER BUMPER	1	6	●	Use Silicone Gasket Maker 598 (RPI Part#RPS639)
ATG605	90521	TIMER GEAR	1	1	●	30 teeth; .250" ID x 1.34" OD
ATH665	94540	HUB & PIN ASSEMBLY	1	1	●	Includes hub, and (2) stainless steel pins
ATP602	30391	SPRING PIN	1	6	●	Stainless steel; .093" OD x .937" lg.
ATR606	90543	PLASTIC SNAP RING	1	10	●	UPDATED Now includes 10 per package
ATS601	90545	COMPRESSION SPRING	1	6	●	Stainless steel; .375" OD x .250" lg. x .026" wire
ATS603	90512	SHUTTER RETURN SPRING	1	3	●	Stainless steel; .190" OD x 1.620" lg. x .020" wire
ATS652	(No OEM Part # Available)	SPACER	1	3	●	Nylon®; .260" ID x .500" OD x .250" Thk

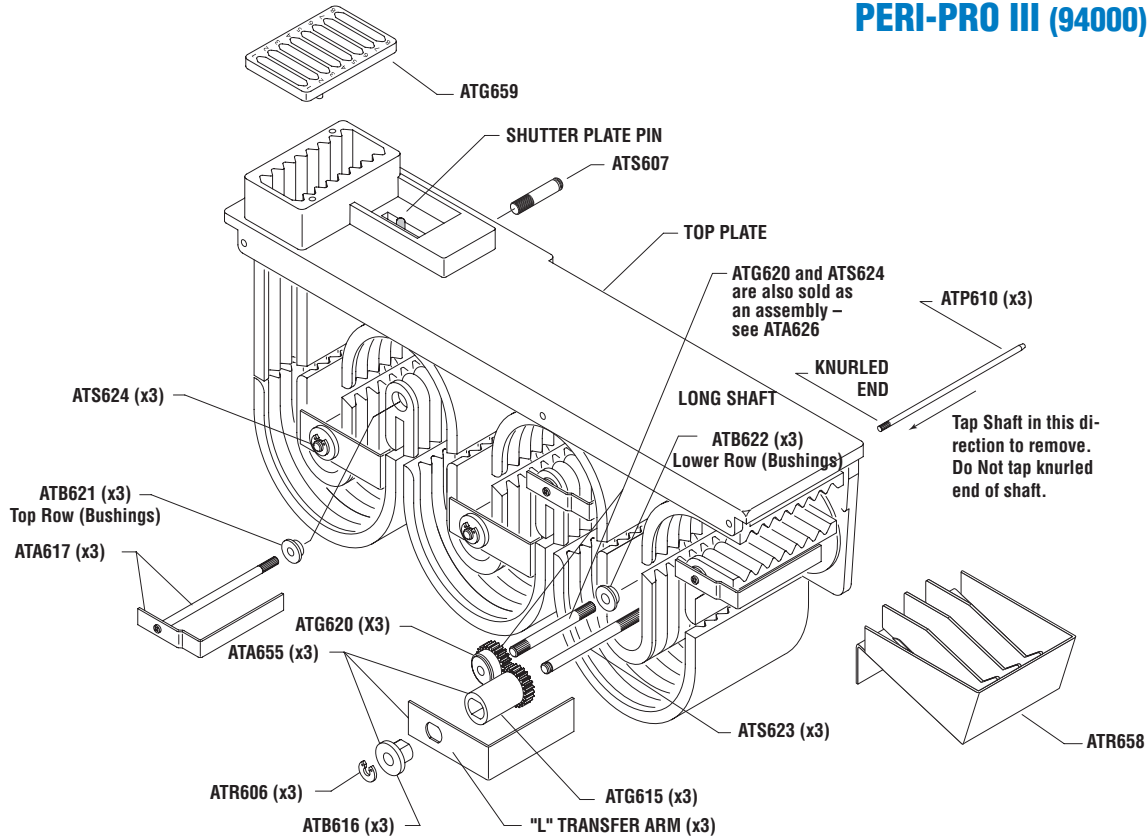


replacement parts industries, inc.

CALL (800) 221-9723 • FAX (818) 882-7028 • EMAIL order@rpiparts.com • WEBSITE www.rpiparts.com

The above parts are manufactured by Replacement Parts Industries, Inc. to fit Air Techniques equipment. All product names used in this document are trademarks or registered trademarks of their respective holders. WEB 02/09

**EXPLODED VIEW OF AIR TECHNIQUES
PERI-PRO III (94000)**



* Included in Shutter Release Repair Kit (RPI Part #ATK664)

** Included in Transport Repair Kit (RPI Part #ATK663)

RPI PART #	OEM PART #	DESCRIPTION	PKG QTY	PERI-PRO III	NOTES
ATA617	90520	"L" TRANSFER ARM ASSEMBLY	1	•	Fits: Transport Assembly
ATA655	94530	"L" TRANSFER ARM ASSEMBLY	1	•	Includes "L" Transfer Arm, Transfer Gear (RPI Part #ATG615) and Transfer Arm Bearing (RPI Part #ATB616)
ATG659	90555	FILM INLET GRILLE	1	•	
ATP610	90505	TOP PLATE PIN	1	•	Stainless Steel; .125" OD x 3.562" lg. (Sold Individually; Transport requires 3)
ATR658	90810	FILM RECEPTACLE	1	•	Fits: Outer Cover
ATS623	90504	TRANSFER ARM SHAFT	1	•	Stainless Steel; .250" OD x 3.234" lg.
ATS607	90502	IDLER GEAR SHAFT	1	•	Stainless Steel; .250" OD x 1.085" lg.
ATA626	90550	"U" TRANSFER DRIVE ASSEMBLY	1	•	Includes all parts listed below
ATS624	90506	TRANSFER DRIVE SHAFT	1	•	Stainless Steel; .250" OD x 2.463" lg.
ATG620	90516	TRANSFER GEAR	1*	•	24 teeth; .250" ID. X 1.08" OD

* RPI Part #ATG620 is also sold separately as a package quantity of 3 pieces.



replacement parts industries, inc.

CALL (800) 221-9723 • FAX (818) 882-7028 • EMAIL order@rpiparts.com • WEBSITE www.rpiparts.com

The above parts are manufactured by Replacement Parts Industries, Inc. to fit Air Techniques equipment. All product names used in this document are trademarks or registered trademarks of their respective holders. WEB 02/09