



Service Bulletin

Keeping You Informed from the Leader in Replacement Parts for Healthcare Equipment since 1972

Air-Techniques Peri-Pro® Film Processors

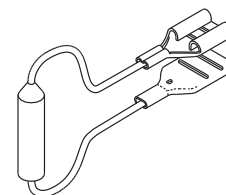
JUNE 2008 • BULLETIN #2



You may recall that Air-Techniques introduced a new Thermal Fuse when the Peri-Pro III film processor hit the market a few years ago. At that time, Air-Techniques said that the fuse would work with all three models – Peri-Pro, Peri-Pro II, and Peri-Pro III.

tomers found that if this fuse was used in the Peri-Pro and Peri-Pro II, it would open prematurely. As a result, RPI recommends using the Thermal Fuse (98°C) (RPI Part #ATF649) for the Peri-Pro III and using the Thermal Fuse (109°C) (RPI Part #ATF651) for the Peri-Pro and the Peri-Pro II.

RPI Part #ATF649
OEM Part #94278
THERMAL FUSE (98°C)
• Opens at 98°C
Models: Peri-Pro® III

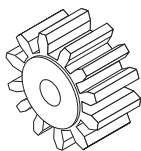


However, we came to find that this "common" fuse did not work with all three models. In fact, many of our cus-

Please take a moment to make note of this change in your catalog, Dental Equipment, Section 4, Page 605.

RPI Part #ATF651
OEM Part #90278
THERMAL FUSE (109°C)
• Opens at 109°C
Models: Peri-Pro® & Peri-Pro® II

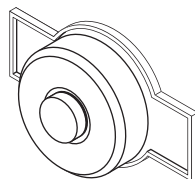
Gendex GXP™ Film Processors



RPI Part #PHG009
OEM Part #303-0016P1/303-0016P2

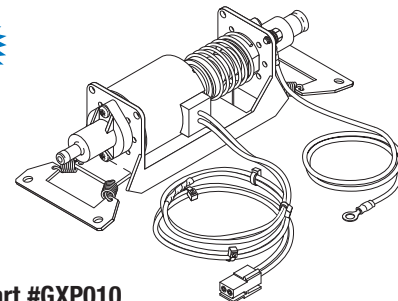
GEAR
• White plastic
Fits: Idler Roller (5A) and Driver Roller (5B)
Models: GXP

Good news! RPI's **white** Gear (RPI Part #PHG009) that fits the Idler Roller (5A #303-0016P1) can also be used in place of the **black** Gear used on the Driver roller (5B #303-0016P2).



RPI Part #GXA025
OEM Part #112-0563G1

SOLUTION AGITATOR
• Magnetic material
Fits: Solution Tank
Models: GXP



RPI Part #GXP010
OEM Part #112-0529G1

OSCILLATING PUMP
• 115VAC, .38 AMP, 25W
• 24" lead wires with connectors
• Includes mounting brackets with springs
Fits: Film Processor
Models: GXP

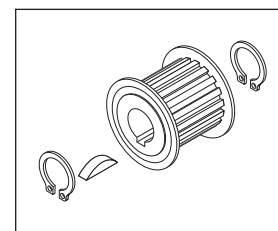
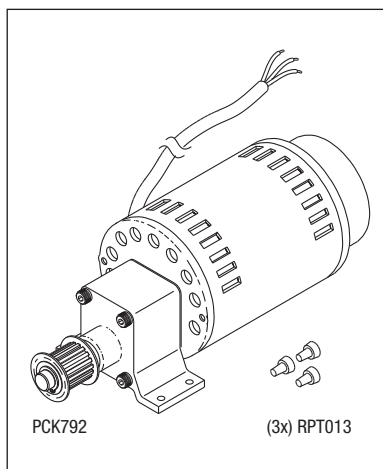
Pelton & Crane Chairman Dental Chair



The Lift Motor now comes with the Pulley!

RPI Part #PCM745
OEM Part #017628 Serial #1001-4189/007881 Serial #4190 and above

LIFT MOTOR
• Includes Lift Motor Pulley Kit (RPI Part #PCK792) and (3 pieces) Pig Tail Connector (RPI Part #RPT013)
Fits: Base and Lift Assembly
Models: Chairman



RPI Part #PCK792
OEM Part #007575
LIFT MOTOR PULLEY KIT
• Use with 1" wide XL Series Belt
• Includes pulley, woodruff key, and (2) retaining rings
Fits: Lift Motor
Models: Chairman



replacement parts industries, inc.

CALL (800) 221-9723 • FAX (818) 882-7028 • EMAIL order@rpiparts.com • WEBSITE www.rpiparts.com

The above parts are manufactured by Replacement Parts Industries, Inc. to fit equipment stated. All product names used in this document are trademarks or registered trademarks of their respective holders. WEB 05/07