



# Multi-purpose Valve, Repair Kit, Micro Switch, Timer, Control Thermostat and Knobs To Fit Tuttnauer

Models 1730M/1730MK, 2340M/2340MK, 2540M/2540MK & 3870M/3870MK

RPI Part #TUV025  
OEM Part #CT810013

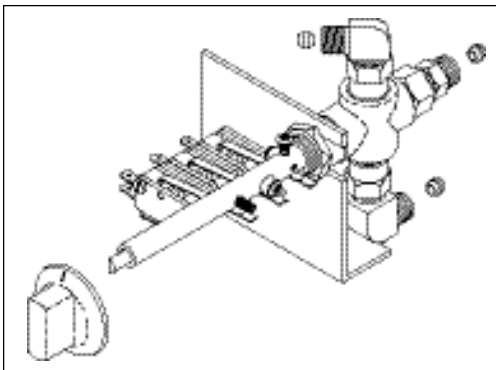


## MULTI-PURPOSE VALVE ASSEMBLY

- Includes Valve Assembly, New Style (red/grey) Micro Switch (TUS057) and Knob (TUK049)

**Fits:** Front panel, right side of machine

**Models:** See above



RPI Part #TUK037

OEM Part # (No OEM Part # available)

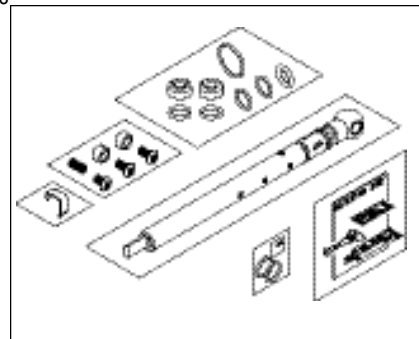


## MULTI-PURPOSE VALVE REPAIR KIT

- Includes Shaft, Cam Spacer, Spring Clip, Valve Seat (PCS036), Pipe Sealant 567 (RPA459), Threadlocker 242 (RPA032), High Temp Lubricant (RPL090), Screws (RPH130, RPH457 & RPH458 and O-rings (RPO360, RPO395, RPO439 & RPO448)

**Fits:** Multi-purpose valve

**Models:** See above



**THE RPI ADVANTAGE!**  
Now you have a have a choice. Replace the entire Valve or repair it with the RPI Valve Repair Kit!

RPI Part #TUK049  
OEM Part #02450002



## TIMER & MULTI-PURPOSE VALVE KNOB

**Fits:** Front panel controls for timer and multi-purpose valve

**Models:** See above



Orientation of D Flat

RPI Part #TUK050  
OEM Part #02450003



## THERMOSTAT KNOB

**Fits:** Thermostat

**Models:** See above (does not fit 3870M/3870MK)



Orientation of D Flat

RPI Part #TUT008  
OEM Part #01910011

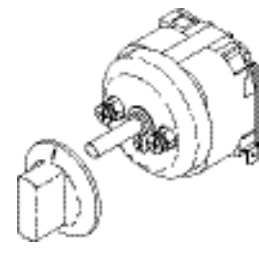
## TIMER with Bell (60 Minute)

- Includes Timer, Knob (TUK049) and (2) Mounting Screws (M4x6)
- SPST N.O. switch
- 125-250VAC; 60Hz

**Fits:** Front panel

**Models:** See above (does not fit 3870M/3870MK)

**NOW INCLUDES THE KNOB!**



RPI Part #TUT007  
OEM Part #1620101

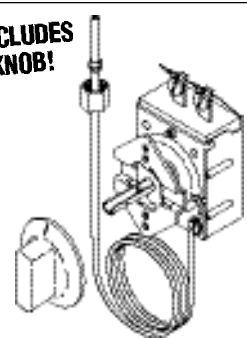
## CONTROL THERMOSTAT

- Includes Control Thermostat and Knob (TUK050)

**Mounts:** To rear steam manifold assembly

**Models:** See above (does not fit 3870M/3870MK)

**NOW INCLUDES THE KNOB!**



RPI Part #TUS057  
OEM Part #01910197

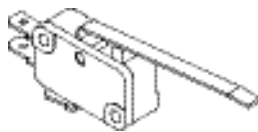


## MICRO SWITCH (New Style)

- New style (red/grey) small micro switch

**Fits:** Multi-purpose valve

**Models:** See above



RPI Part #RPA459

OEM Part # (No OEM Part # available)



## PIPE SEALANT 567

- .20 FL. OZ (6ml) per unit
- Temperature range: -65°F to 400°F
- Also included in Multi-purpose Repair Kit (TUK037)
- MSDS and product use information available upon request

**Models:** See above

