

Models: Statim L, 900 (#311101), 2000 (#1102 & 121101) & 5000 (#201103)



## New Filters, PM Kits, and more to fit SciCan Statim® Series Cassette Sterilizers

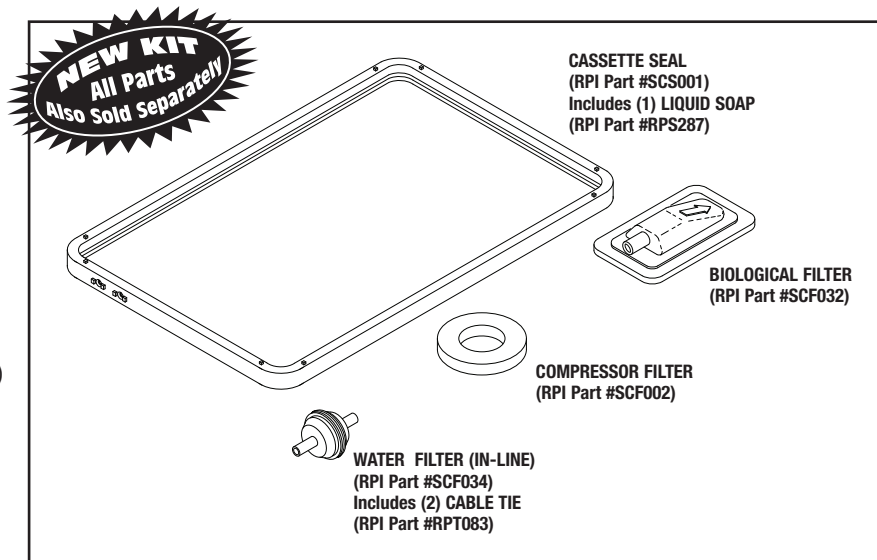
RPI Part #SCK035  
OEM Part #01-100028S (Gasket Only)

### STERILIZER PM KIT

- Includes:
  - Cassette Seal (RPI Part #SCS001)
  - Liquid Soap (RPI Part #RPS287)
  - Compressor Filter (RPI Part #SCF002)
  - Biological Filter (RPI Part #SCF032 for serial #2101DK0274 and above)
  - Water Filter (In-Line) (RPI Part #SCF034)

Model: Statim 2000

**PM TIP** – Lube Cassette Seal (RPI SCS001) with (1) pouch of Liquid Soap (RPI Part #RPS287) every 30 days. Replace Cassette Seals every 800 cycles.



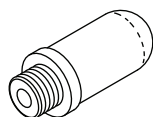
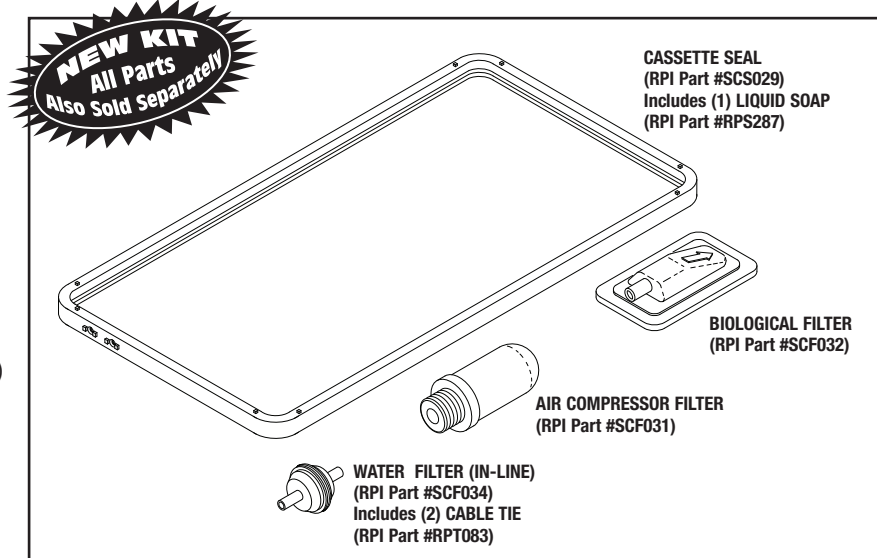
RPI Part #SCK036  
OEM Part #01-101649S (Gasket Only)

### STERILIZER PM KIT

- Includes:
  - Cassette Seal (RPI Part #SCS029)
  - Liquid Soap (RPI Part #RPS287)
  - Biological Filter (RPI Part #SCF032)
  - Air Compressor Filter (RPI Part #SCF031 for use with MEDO Compressor only)
  - Water Filter (In-Line) (RPI Part #SCF034)

Model: Statim 5000

**PM TIP** – Lube Cassette Seal (RPI SCS029) with (1) pouch of Liquid Soap (RPI Part #RPS287) every 30 days. Replace Cassette Seals every 800 cycles.

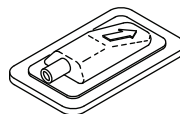


RPI Part #SCF031  
OEM Part #01-101652S

### AIR COMPRESSOR FILTER

- Fits units with the MEDO Air Compressor only
- Also included in Sterilizer PM Kit (RPI Part #SCK036)

Fits: Air Compressor  
Model: Statim L, 5000 & 5000S

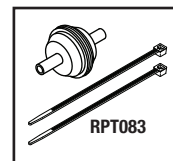


RPI Part #SCF032  
OEM Part #01-102119S

### BIOLOGICAL FILTER

- Replace every 6 months or every 500 cycles (whichever comes first)
- Also included in Sterilizer PM Kits (RPI Part #'s SCK035 & SCK036)

Fits: Air Compressor  
Model: Statim 2000 (beginning with Serial #2101DK0274) & 5000



RPI Part #SCF034  
OEM Part #01-106637S




### WATER FILTER (IN-LINE)

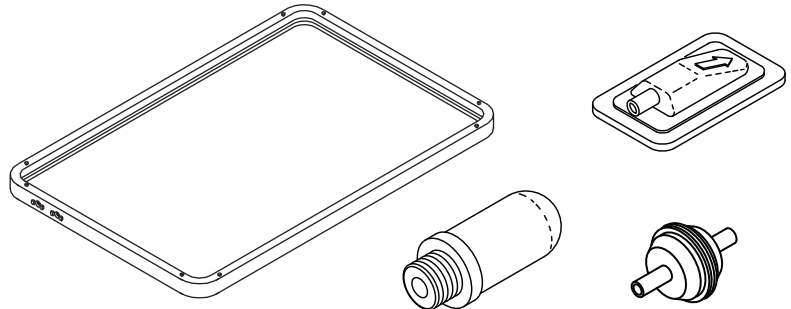
- Includes all parts as shown
- Also included in Sterilizer PM Kits (RPI Part #'s SCK035 & SCK036)

Fits: Water Pumps  
Model: Statim 900, 2000 & 5000

# RPI is Your Source for Filters, Seals, and more to fit *SciCan Statim*® Series Cassette Sterilizers!

Look inside for more information about these new parts and more:

- **CASSETTE SEALS**
-  **AIR COMPRESSOR FILTER**
-  **BIOLOGICAL FILTER**
-  **WATER FILTER (IN-LINE)**
-  **STERILIZER PM KITS**



**replacement parts industries, inc.**

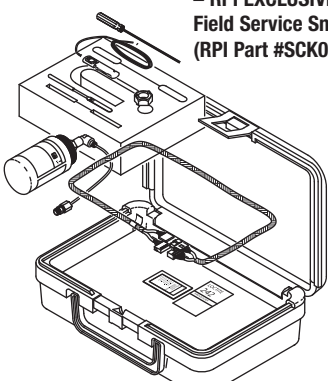
P.O. Box 5019 • Chatsworth, California • 91313-5019

PRESORTED STANDARD  
U.S. POSTAGE PAID  
VAN NUYS, CA  
PERMIT #2399

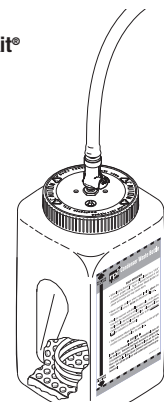
• Address Service Requested •

— An ISO 9001 Certified Company —


## DON'T FORGET ... RPI also carries these parts and more to fit *SciCan Statim*® 900, 2000 & 5000 Cassette Sterilizers!




— RPI EXCLUSIVE —  
Field Service Smart Kit®  
(RPI Part #SCK028)



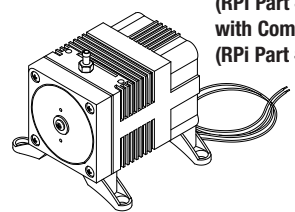
Condenser  
Waste Bottle Kit  
(RPI Part #SCK016)



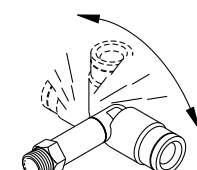
Power Switch  
(RPI Part #SCS023)



Solenoid - Coil  
(RPI Part #SCC005)



Air Compressor Kit  
(RPI Part #SCK020)  
with Compressor filter  
(RPI Part #SCF002)



Convenient Swiveling  
Push-In Elbow Fitting  
(RPI Part #RPF363)