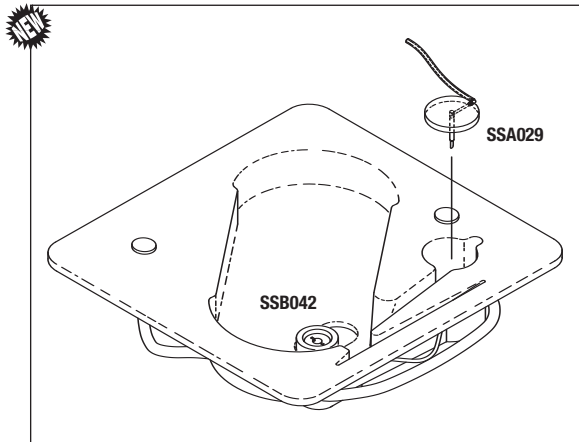


Bulk Sterilizers and Sterilizer Washers (Endoscope)

NEW PARTS TO FIT STERIS® SYSTEM 1®



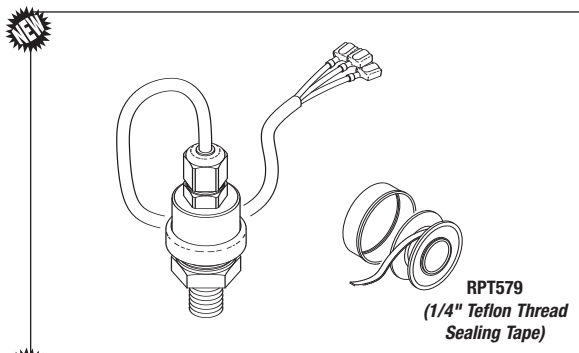
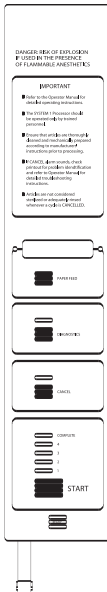
You asked for the Tray, Panel, and Pressure Transducer ... You Got Them!

GENERAL PROCESSING TRAY
RPI Part #SST031
OEM Part #C1200

- Supplied complete, ready to install
- Fits:** Tray Compartment
- Models:** System 1 – All Models

MEMBRANE PANEL
RPI Part #SSP015
OEM Part #200282

- Fits:** Front Panel
- Models:** System 1 – Models 89A1, 90B1, 90A1 & 90A2



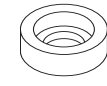
PRESSURE TRANSDUCER
RPI Part #SST046
OEM Part #200141

- Includes all parts as shown
- 1/8" MPT connection
- 316 SS
- Pressure range 0-100 psig
- Input voltage 9-30 VDC; Output voltage 1-6 VDC

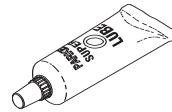
Fits: Sterile filter housing assembly
Models: System 1 – Models 89A1 & 90B1

DRAIN VALVE BUSHING
RPI Part #SSB042
OEM Part #100209

- Closed cell Silicone sponge
- Fits:** Drain section on all trays
- Models:** System 1 – All Models



- O-RING LUBRICANT**
RPI Part #RPL615
OEM Part #400035
- (1) 2 oz. tube; Non-Toxic; Temperature Range: -65° to 400° F
 - Can be used on Silicone and non-Silicone rubber materials
 - Super-O-Lube® made by Parker

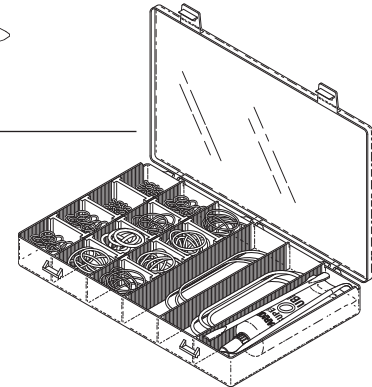


STORAGE CASE
RPI Part #RPC616
OEM Part # (No OEM Part # Available)

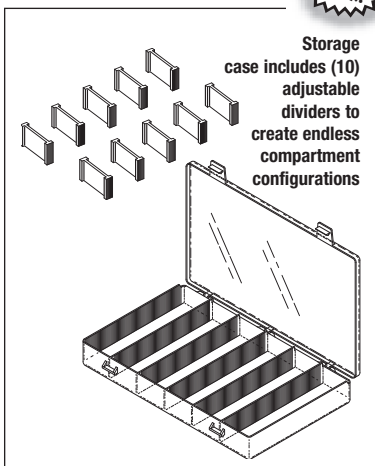
- (6) standard compartments (1-11/16" w x 6-3/16" lg) with (10) adjustable dividers
- 10-1/2" w x 6-3/16" lg x 1-9/16" d
- Translucent polypropylene

O-RING KIT FOR SERVICING STERIS® SYSTEM 1® STERILE PROCESSING SYSTEM
RPI Part #SSK050

- Kit includes 15-compartment storage case (RPI Part #RPC616), O-ring Lubricant (RPI Part #RPL615), and O-ring Removal Tools (RPI Part #RPK581)
- O-rings are also sold separately in reorder quantities



LOOK!



Storage case includes (10) adjustable dividers to create endless compartment configurations

RPI PART #	STERIS PART #	X-SEC	ID	OD	MATERIAL	DURO	KIT QTY	REORDER QTY
RPO307	450617	.070	.114	.254	EPDM	70	12	12
RPO354	450609	.070	.926	1.066	Silicone	70	12	6
RPO388	450610	.070	.426	.566	Silicone	70	12	6
RPO389	450608	.103	1.049	1.255	Silicone	70	12	6
RPO390	450614	.070	1.114	1.254	Silicone	70	12	6
RPO450	450621	.051	.547	.649	Silicone	70	12	6
RPO605	450600	.103	1.174	1.380	Silicone	70	12	12
RPO606	450601	.139	.859	1.137	Silicone	70	12	12
RPO607	450605	.070	1.239	1.379	Silicone	70	12	12
RPO608	450606	.070	.489	.629	Silicone	70	12	12
RPO609	450611	.070	.114	.254	Silicone	70	12	12
RPO610	450612	.103	.924	1.130	Silicone	70	12	12
RPO612	450620	.103	3.237	3.443	Viton	70	3	3
RPO613	450622	.139	3.484	3.762	Viton	70	3	3



replacement parts industries, inc.

CALL (800) 221-9723 • FAX (818) 882-7028 • EMAIL order@rpiparts.com • WEBSITE www.rpiparts.com

The above parts are manufactured by Replacement Parts Industries, Inc. (RPI) to fit Steris equipment. Steris and System 1 are trademarks of Steris Corporation which is not affiliated in any way with RPI. Flyer WEB 12/06