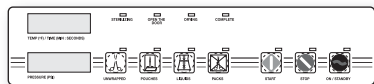


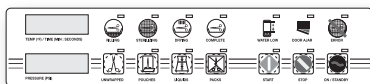


New and Existing Parts to fit

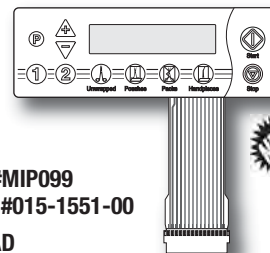
Midmark® • Ritter® M9, M9D, M11 & M11D Ultraclave® Sterilizers!



RPI Part #MIP097
OEM Part #061-0531-00
DISPLAY OVERLAY
 Fits: Top Cover
 Models: M9D & M11D
 (See page 3, Footnote #1)



RPI Part #MIP098
OEM Part #061-0272-01
DISPLAY OVERLAY
 Fits: Top Cover
 Models: M9 & M11
 (See page 3, Footnote #2)



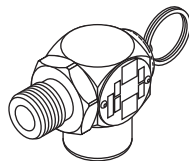
RPI Part #MIP099
OEM Part #015-1551-00
TOUCH PAD
 Fits: Top Cover
 Models: M9, M9D, M11 & M11D
 (See page 3, Footnote #3)



RPI Part #MIV090
OEM Part #014-0195-03

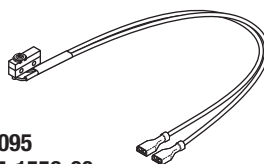
SAFETY VALVE (40 PSI)
 • 1/2 MPT x 1/2 FPT
 • Brass body
 • Cracking Pressure: 40 PSI
 • Also available Elbow Barb
 (RPI Part #RPF684)

Fits: Chamber
Models: M9, M9D, M11 & M11D
 (See page 3, Footnote #4 & 8)



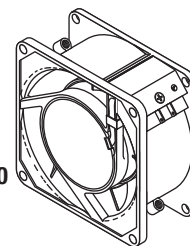
RPI Part #MIS095
OEM Part #015-1556-00

DOOR SWITCH ASSEMBLY
 • 5 A @ 250 VAC; SPDT
 • Includes all parts as shown
Fits: Latch Bracket
Models: M9, M9D, M11 & M11D
 (See page 3, Footnote #3)



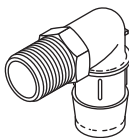
RPI Part #MIF091
OEM Part #015-1368-00

FAN
 • 115 VAC; 50/60 Hz
 • 3.15" H x 3.15" L x 1.50" W
Fits: Rear Panel
Models: M9, M9D, M11 & M11D
 (See page 3, Footnote #3)



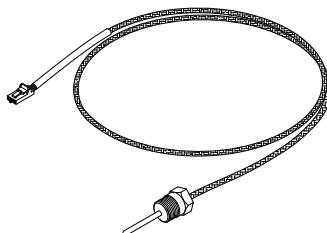
RPI Part #RPF684
OEM Part #002-0359-01

ELBOW BARB FITTING
 • 1/2 MPT x 3/4" barb
 • Black Nylon®
Fits: Safety Valve
Models: M9, M9D, M11 & M11D
 (See page 3, Footnote #4 & 8)



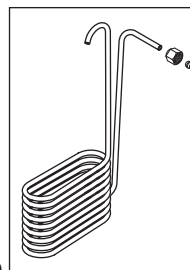
RPI Part #MIS121
OEM Part #015-1680-00

TEMPERATURE SENSOR
 • Includes all parts as shown
Fits: Rear Chamber Port
Models: M9, M9D, M11 & M11D
 (See page 3, Footnote #3)



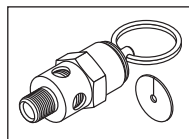
RPI Part #MIC094
OEM Part #014-0421-00

CONDENSATION COIL
 • Includes Compression Nut and Sleeve
 (RPI Part #'s RPF220 and RPF216)
Fits: Water Reservoir
Models: M9, M9D, M11 & M11D
 (See page 3, Footnote #3)



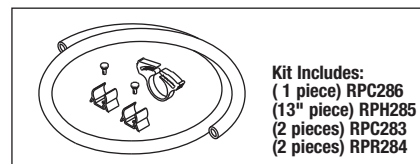
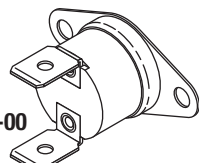
RPI Part #MIV122
OEM Part #014-0593-00

SAFETY VALVE (40 PSI)
 • 1/8 MPT
 • Brass body
 • Cracking Pressure: 40 PSI
 • Includes Washer (Safety Valve)
 (RPI Part #MIW123)
Fits: Chamber
Models: M9, M9D, M11 & M11D
 (See page 3, Footnote #5)



RPI Part #MIT093
OEM Part #015-1430-00

THERMOSTAT
 • 15 A @ 120 VAC; 10 A @ 250 VAC
 • Opens at 450° F ± 25° F
 • Closes at 364° F ± 20° F
Fits: High Limit Switch Bracket
Models: M9, M9D, M11 & M11D
 (See page 3, Footnote #3)



Kit Includes:
 (1 piece) RPC286
 (13" piece) RPH285
 (2 pieces) RPC283
 (2 pieces) RPR284

RPI Part #MIK061
OEM Part # (No OEM Part # Available)
DRAIN HOSE KIT
 • Includes all parts as shown
Fits: Water Reservoir
Models: M9, M9D, M11 & M11D

RPI Part #MIW123
OEM Part #053-2104-00


WASHER (SAFETY VALVE)
 • 1.50" dia, .06" thk.; Material: Silicone
Fits: Safety Valve
Models: M9, M9D, M11 & M11D
 (See page 3, Footnote #5)





Table Top Sterilizers




Models: UltraClave® M9, M9D, M11 & M11D

MIF062 
Mesh Chamber Filter
For newer style machines

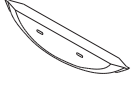
MIF038 
Sintered Bronze Filter
For older style machines


MIS076 
Door Springs


MIG027
Door Gasket




MIG035
Dam Gasket




MIF062 
Mesh Chamber Filter
For newer style machines

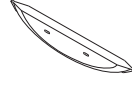
MIF038 
Sintered Bronze Filter
For older style machines

MIS076 
Door Springs

MIG028
Door Gasket



MIG036
Dam Gasket









RPI Part #MIK072
OEM Part #002-0361-00 (Door & Dam Gaskets only)
STERILIZER PM KIT
Model: M9 & M9D

*Includes all parts as shown!
All parts also sold separately!*

RPI Part #MIK080
OEM Part #002-0504-00 (Door & Dam Gaskets only)
STERILIZER PM KIT
Model: M11 & M11D

*Includes all parts as shown!
All parts also sold separately!*

SOLENOID VALVES, REPAIR KITS & COILS

	MODELS	VALVE TYPE	RPI PART #	OEM PART#	DESCRIPTION
Serial #'s -001 thru -019	M9 & M11 <i>(See page 3, Footnote #6)</i>	<ul style="list-style-type: none"> • Fill Valve (not FWR) • Non-manifold mount • AC valve 	MIS042	002-0365-00	Solenoid Valve (Fill)
			MIK053	014-0236-09	Repair Kit (Fill Valve)
			MIC057	014-0236-08	Coil (Fill Valve)
	M9, M9D, M11 & M11D <i>(See page 3, Footnote #9)</i>	<ul style="list-style-type: none"> • Fill Valve (FWR only) • Non-manifold mount 	RCV112	002-0365-00	Solenoid Valve
			RCK113	014-0236-11	Repair Kit
			RCC114	014-0236-10	Coil (Fill/Vent Valve)
	M9 & M11 <i>(See page 3, Footnote #6)</i>	<ul style="list-style-type: none"> • Vent Valve • Non-manifold mount • AC valve 	MIS043	002-0366-00	Solenoid Valve (Vent)
			MIK054	014-0235-04	Repair Kit (Vent Valve)
			MIC058	014-0235-03	Coil (Vent Valve)
	M9 <i>(See page 3, Footnote #7)</i>	<ul style="list-style-type: none"> • Vent Valve • Manifold mount • AC valve 	MIS045	014-0199-00	Solenoid Valve (Vent)
	MIK055		<i>No OEM Part # Available</i>	Repair Kit (Vent Valve)	
	MIC059		<i>No OEM Part # Available</i>	Coil (Vent Valve)	
M9 <i>(See page 3, Footnote #7)</i>	<ul style="list-style-type: none"> • Fill Valve • Manifold mount • AC valve 	MIS046	014-0200-00	Solenoid Valve (Fill)	
		MIK056	<i>No OEM Part # Available</i>	Repair Kit (Fill Valve)	
		MIC060	<i>No OEM Part # Available</i>	Coil (Fill Valve)	
M9D & M11D <i>(See page 3, Footnote #1)</i>	<ul style="list-style-type: none"> • Vent Valve • Non-manifold mount • AC valve 	MIV073	002-0519-00	Solenoid Valve (Vent)	
		MIK082	014-0275-02	Repair Kit (Vent Valve) <i>Note: This Kit does not include the Coil. For the Coil, see RPI Part #MIC083.</i>	
		MIC083	014-0275-02	Coil (Vent Valve) <i>Note: This part does not include the Repair Kit. For the Repair Kit, see RPI Part #MIK082.</i>	
Serial #'s -020 and -022	M9, M9D, M11 & M11D <i>(See page 3, Footnote #3)</i> 	<ul style="list-style-type: none"> • Air Valve (FWR only) • Non-manifold mount 	 MIV118	014-0419-00	Solenoid Valve (Air Valve)
			 MIK119	<i>No OEM Part # Available</i>	Repair Kit (Air Valve)
			 MIC120	<i>No OEM Part # Available</i>	Coil (Air Valve)
	M9, M9D, M11 & M11D <i>(See page 3, Footnote #10)</i> 	<ul style="list-style-type: none"> • Vent Valve (FWR only) • Manifold mount • AC valve 	 MIK110	014-0420-03	Repair Kit (Fits Vent Valve) <i>Note: This Kit does not include the Bonnet or Coil. For the Coil, see RPI Part #RCC114.</i>
			RCC114	014-0420-02 & 014-0420-03	Coil (Fill or Vent Valve) <i>Note: This part does not include the Repair Kit. For the Repair Kit, see RPI Part #MIK110.</i>
	M9, M9D, M11 & M11D <i>(See page 3, Footnote #10)</i>	<ul style="list-style-type: none"> • Fill Valve (FWR only) • Manifold mount 	RCK113	014-0420-02	Repair Kit (Fits Fill Valve) <i>Note: This part does not include the Coil. For the Coil, see RPI Part #RCK114.</i>
	RCC114		014-0420-02 & 014-0420-03	Coil (Fill or Vent Valve) <i>Note: This part does not include the Repair Kit. For the Repair Kit, see RPI Part #RCK113.</i>	

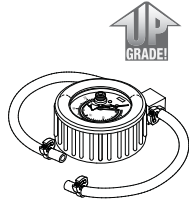


RPI Part #MIK074
OEM Part # (No OEM Part # Available)

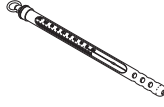
FIELD SERVICE CALIBRATION SMART KIT®

- To check and adjust pressure and temperature
- Includes:
 - Test Pressure Gauge (RPI Part #RPG461)
 - Trim Pot Adjustment Tool (RPI Part #RPT460)
 - Max-Register Thermometer (RPI Part #RPT113)
 - Cable Tie (High Temp) (RPI Part #RPT480)
 - Carrying Case (RPI Part #RPC476)
- All parts in kit are also sold separately


Models: M9, M9D, M11 & M11D
 (See page 3, Footnote #8)



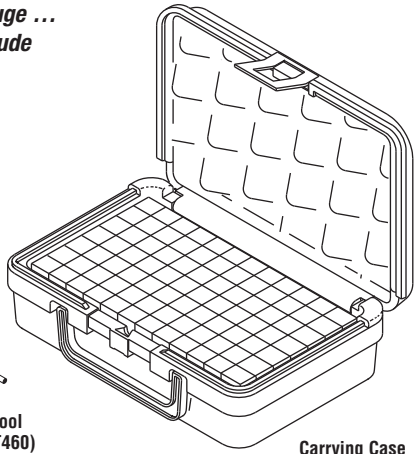
Test Pressure Gauge with max indicator
(RPI Part #RPG461)




Max-Register Thermometer
(RPI Part #RPT113)



Trim Pot Adjustment Tool
(RPI Part #RPT460)



Carrying Case
(RPI Part #RPC476)



(x25) Cable Tie (High Temp)
(RPI Part #RPT480)

Test Pressure Gauge ... Upgraded to include a Max Indicator!

FOOTNOTES FOR M9, M9D, M11 & M11D STERILIZERS	RPI PART #
1. Fits M9D -001 thru -019 with Serial # prefixes FF & FG; Fits M11D -001 thru -019 with Serial # prefixes GC & GD.	MIC083, MIK082, MIP097 & MIV073
2. Fits M9 -001 thru -019 with Serial # prefixes CZ, DA, DB, DX, DY, FD & OM; Fits M11 -001 thru -019 with Serial # prefixes ES, ET, FP, FR & GB.	MIP098
3. Fits M9 -020 thru -022 with Serial # prefixes RN, RP, RR & V; Fits M9D -020 thru -022 with Serial # prefixes RW, RX & V; Fits M11 -020 thru -022 with Serial # prefixes RS, RT, RV & V; Fits M11D -020 thru -022 with Serial # prefixes RY, RZ & V.	MIC094, MIC120, MIF091, MIK119, MIP099, MIS095, MIS121, MIT093 & MIV118
4. Fits M9 -020 thru -022 with Serial # prefixes RN, RP RR, & V1000 to V721880; Fits M9D -020 thru -022 with Serial # prefixes RW, RX & V1000 to V721880; Fits M11 -020 thru -022 with Serial # prefixes RS, RT, RV, & V1000 to V721880; Fits M11D -020 thru -022 with Serial # prefixes RY, RZ & V1000 to V721880.	MIV090 & RPF684
5. Fits M9 -020 thru -022 with Serial # V721881 thru present; Fits M9D -020 thru -022 with Serial # V721881 thru present; Fits M11 -020 thru -022 with Serial # V721881 thru present; Fits M11D -020 thru -022 with Serial # V721881 thru present.	MIV122 & MIW123
6. Fits M9 -001 thru -019 with Serial #'s CZ1110 thru present, DA, DB, DX, DY, FD & OM; Fits M11 -001 thru -019 with Serial #'s ES, ET, FP, FR & GB.	MIC057, MIC058, MIK053, MIK054, MIS042 & MIS043
7. Fits M9 -001 thru -019 with Serial #CZ1000 thru CZ1109.	MIC059, MIC060, MIK055, MIK056, MIS045 & MIS046
8. Fits M9 -001 thru -019 with Serial # prefixes CZ, DA, DB, DX, DY, FD & OM; Fits M9D -001 thru -019 with Serial # prefixes FF & FG; Fits M11 -001 thru -019 with Serial # prefixes ES, ET, FP, FR & GB; Fits M11D -001 thru -019 with Serial # prefixes GC & GD.	MIC037, MIK074, MIK078, MIP050, MIS039, MIT047, MIV081, MIV090, RCB089, RCB100 & RPF684
9. Fits M9 -001 thru -019 with Serial #'s CZ1110 thru present, DA, DB, DX, DY, FD & OM; Fits M9D -001 thru -019 with Serial # FF & FG; Fits M11 -001 thru -019 with Serial #'s ES, ET, FP, FR & GB; Fits M11D -001 thru -019 with Serial #'s GC & GD.	RCC114, RCK113 & RCV112
10. Fits M9 -020 and -022 with Serial # prefixes RN, RP, RR & V; Fits M9D -020 and -022 with Serial # prefixes RW, RX & V; Fits M11 -020 and -022 with Serial # prefixes RS, RV & V; Fits M11D -020 and -022 with Serial # prefixes RY, RZ & V.	MIK110, RCC114 & RCK113
11. Fits M9 -001 thru -019 with Serial # prefixes CZ, DA, DB, DX, DY & OM; Fits M9D -001 thru -019 with Serial # FF & FG.	MIA086
12. Fits M11 -001 thru -019 with Serial # prefixes ES, ET, FP, FR & GB; Fits M11D -001 thru -019 with Serial #'s GC & GD.	MIA077
13. Fits M9 -001 thru -019 with Serial #CZ1000 thru CZ4334, DA1000 thru DA1004, DB1000 thru DB1237, DX1000 thru DX2555, DY1000 thru DY1176, FD1000 thru FD1399 & OM1000 thru OM145248; Fits M9D -001 thru -019 with Serial #FF1000 thru FF1034 & FG1000 thru FG1112; Fits M11 -001 thru -019 with Serial #ES1000 thru ES5751, ET1000 thru ET7341, FP1000 thru FP1075, FR1000 thru FR1246 & GB1000 thru GB1129; Fits M11D -001 thru -019 with Serial #GC1000 thru GC1093 & GD1000 thru GD1102.	PCV052
14. Fits M9 -001 thru -019 with Serial # prefixes CZ, DA, DB, DX, DY, FD & OM.	MIS044
15. Fits M11 -001 thru -019 with Serial # prefixes ES, ET, FP, FR & GB.	MIS079



LIST OF RPI PARTS TO FIT MIDMARK•RITTER ULTRACLAVE M9, M9D, M11 & M11D AS OF JANUARY, 2010

RPI #	OEM Part #	DESCRIPTION	MODELS	RPI #	OEM Part #	DESCRIPTION	MODELS
ILSO14	No OEM Part # Available	Spanner Nut	M9, M9D, M11 & M11D	MIS045	014-0199-00	Solenoid Valve (Vent)	M9 <i>(see Page 3, Footnote #7)</i>
MIA077	050-3970-00 & 050-2623-00	Spring Arm	M11 <i>(see Page 3, Footnote #12)</i>	MIS046	014-0200-00	Solenoid Valve (Fill)	M9 <i>(see Page 3, Footnote #7)</i>
MIA086	050-2362-00	Spring Arm	M9 <i>(see Page 3, Footnote #11)</i>	MIS075	002-0358-00	Water Level Sensor Assy	M9, M9D, M11 & M11D
MIC037	052-0173-00	Condensation Coil	M9, M9D, M11 & M11D <i>(see Page 3, Footnote #8)</i>	MIS076	050-2347-00	Door Springs	M9, M9D, M11 & M11D
MIC057	014-0236-08	Coil (Fill Valve)	M9 & M11 <i>(see Page 3, Footnote #6)</i>	MIS079	002-0363-03	Pulse Solenoid	M11 <i>(see Page 3, Footnote #15)</i>
MIC058	014-0235-03	Coil (Vent Valve)	M9 & M11 <i>(see Page 3, Footnote #6)</i>	MIS095	015-1556-00	Door Switch Assy	M9, M9D, M11 & M11D <i>(see Page 3, Footnote #3)</i>
MIC059	No OEM Part # Available	Coil (Vent Valve)	M9 <i>(see Page 3, Footnote #7)</i>	MIS121	015-1680-00	Temperature Sensor	M9, M9D, M11 & M11D <i>(see Page 3, Footnote #3)</i>
MIC060	No OEM Part # Available	Coil (Fill Valve)	M9 <i>(see Page 3, Footnote #7)</i>	MIT047	002-0370-00	Overtemp Thermostat	M9, M9D, M11 & M11D <i>(see Page 3, Footnote #8)</i>
MIC083	014-0275-02	Coil (Vent Valve)*	M9D & M11D <i>(see Page 3, Footnote #1)</i>	MIT093	015-1430-00	Thermostat	M9, M9D, M11 & M11D <i>(see Page 3, Footnote #3)</i>
MIC094	014-0421-00	Condensation Coil	M9, M9D, M11 & M11D <i>(see Page 3, Footnote #3)</i>	MIV073	002-0519-00	Solenoid Valve (Vent)	M9D & M11D <i>(see Page 3, Footnote #1)</i>
MIC120	No OEM Part # Available	Coil (Air Valve)	M9, M9D, M11 & M11D <i>(see Page 3, Footnote #3)</i>	MIV081	002-0654-00	Steam Trap (New Style)	M9, M9D, M11 & M11D <i>(see Page 3, Footnote #8)</i>
MIF038	002-0360-00	Filter (Sintered Style)	M9, M9D, M11 & M11D	MIV090	014-0195-03	Safety Valve (40 PSI)	M9, M9D, M11 & M11D <i>(see Page 3, Footnote #4 & 8)</i>
MIF051	016-0523-00	Leveler Feet	M9, M9D, M11 & M11D	MIV118	014-0419-00	Solenoid Valve (Air Valve)	M9, M9D, M11 & M11D <i>(see Page 3, Footnote #3)</i>
MIF062	002-0360-00	Mesh Chamber Filter	M9, M9D, M11 & M11D	MIV122	014-0593-00	Safety Valve (40 PSI)	M9, M9D, M11 & M11D <i>(see Page 3, Footnote #5)</i>
MIF091	015-1368-00	Fan	M9, M9D, M11 & M11D <i>(see Page 3, Footnote #3)</i>	MIW123	053-2104-00	Washer (Safety Valve)	M9, M9D, M11 & M11D <i>(see Page 3, Footnote #5)</i>
MIG027	053-0366-00	Door Gasket	M9 & M9D	PCN136	No OEM Part # Available	Speednut	M9, M9D, M11 & M11D
MIG028	053-0527-00	Door Gasket	M11 & M11D	PCV052	002-0359-00	Pressure Relief Valve	M9, M9D, M11 & M11D <i>(see Page 3, Footnote #13)</i>
MIG035	053-0508-00	Dam Gasket	M9 & M9D	RCB089	002-0375-00 & 014-0193-00	Air Vent Bellows Assy	M9, M9D, M11 & M11D <i>(see Page 3, Footnote #8)</i>
MIG036	053-0784-00	Dam Gasket	M11 & M11D	RCB100	002-0375-00 & 014-0193-00	Air Vent Bellows Assy	M9, M9D, M11 & M11D <i>(see Page 3, Footnote #8)</i>
MIH048	002-0367-00	Heater Element Assy	M9 & M9D	RCC114	014-0236-10 014-0420-02 & 014-0420-03	Coil (Fill/Vent Valve)*	M9, M9D, M11 & M11D <i>(see Page 3, Footnote #9 & 10)</i>
MIH049	002-0505-00	Heater Element Assy	M11 & M11D	RCH119	No OEM Part # Available	Attaching Hardware	M9, M9D, M11 & M11D
MIK053	014-0236-09	Repair Kit (Fill Valve)	M9 & M11 <i>(see Page 3, Footnote #6)</i>	RCK113	014-0236-11 & 014-0420-02	Repair Kit*	M9, M9D, M11 & M11D <i>(see Page 3, Footnote #9 & 10)</i>
MIK054	014-0235-04	Repair Kit (Vent Valve)	M9 & M11 <i>(see Page 3, Footnote #6)</i>	RCV112	002-0365-00	Solenoid Valve	M9, M9D, M11 & M11D <i>(see Page 3, Footnote #9)</i>
MIK055	No OEM Part # Available	Repair Kit (Vent Valve)	M9 <i>(see Page 3, Footnote #7)</i>	RPB289	015-1137-00	Strain Relief Bushing	M9, M9D, M11 & M11D
MIK056	No OEM Part # Available	Repair Kit (Fill Valve)	M9 <i>(see Page 3, Footnote #7)</i>	RPC283	053-0388-01	Hose Clip	M9, M9D, M11 & M11D
MIK061	No OEM Part # Available	Drain Hose Kit	M9, M9D, M11 & M11D	RPC286	016-0748-01	Kwik™ Clamp	M9, M9D, M11 & M11D
MIK072	002-0361-00	Sterilizer PM Kit	M9 & M9D	RPC288	015-1139-00	Power Cord	M9, M9D, M11 & M11D
MIK074	No OEM Part # Available	Field Service Calibration Smart Kit®	M9, M9D, M11 & M11D <i>(see Page 3, Footnote #8)</i>	RPC291	015-0640-00	Power Cord	M9, M9D, M11 & M11D
MIK078	002-0654-00	Steam Trap Kit	M9, M9D, M11 & M11D <i>(see Page 3, Footnote #8)</i>	RPC463	No OEM Part # Available	Kwik™ Clamp	M9, M9D, M11 & M11D
MIK080	002-0504-00	Sterilizer PM Kit	M11 & M11D	RPC476	No OEM Part # Available	Carrying Case	M9, M9D, M11 & M11D
MIK082	014-0275-02	Repair Kit (Vent Valve)*	M9D & M11D <i>(see Page 3, Footnote #1)</i>	RPF049	015-0346-08	Fuse-Printer (3A, 250V)	M9, M9D, M11 & M11D
MIK110	014-0420-03	Repair Kit (Fits Vent Valve)*	M9, M9D, M11 & M11D <i>(see Page 3, Footnote #10)</i>	RPF281	015-0346-07	Fuse (15A, 250V)	M9, M9D, M11 & M11D
MIK119	No OEM Part # Available	Repair Kit (Air Valve)	M9, M9D, M11 & M11D <i>(see Page 3, Footnote #3)</i>	RPF684	002-0359-01	Elbow Barb fitting	M9, M9D, M11 & M11D <i>(see Page 3, Footnote #4 & 8)</i>
MIP040	016-0395-01	Door Insulator Pad	M9 & M9D	RPG461	002-0372-00	Test Pressure Gauge	M9, M9D, M11 & M11D
MIP041	016-0395-02	Door Insulator Pad	M11 & M11D	RPH285	053-0391-03 & 053-0391-02	Drain Hose	M9, M9D, M11 & M11D
MIP050	002-0357-00	Temperature Probe Assy	M9, M9D, M11 & M11D <i>(see Page 3, Footnote #8)</i>	RPI268	No OEM Part # Available	Chamber Insulation	M9 & M9D
MIP097	061-0531-00	Display Overlay	M9D & M11D <i>(see Page 3, Footnote #1)</i>	RPI269	No OEM Part # Available	Chamber Insulation	M11 & M11D
MIP098	061-0272-01	Display Overlay	M9 & M11 <i>(see Page 3, Footnote #2)</i>	RPK282	No OEM Part # Available	Pressure Tube Kit	M9, M9D, M11 & M11D
MIP099	015-1551-00	Touch Pad	M9, M9D, M11 & M11D <i>(see Page 3, Footnote #3)</i>	RPO315	Industry # AS568-009	O-Ring (12/pkg)	M9, M9D, M11 & M11D
MIS039	002-0362-00	Door Switch Assy	M9, M9D, M11 & M11D <i>(see Page 3, Footnote #8)</i>	RPO325	Industry # AS568-019	O-Ring (12/pkg)	M9, M9D, M11 & M11D
MIS042	002-0365-00	Solenoid Valve (Fill)	M9 & M11 <i>(see Page 3, Footnote #6)</i>	RPR284	042-0010-21	Pop Rivet	M9, M9D, M11 & M11D
MIS043	002-0366-00	Solenoid Valve (Vent)	M9 & M11 <i>(see Page 3, Footnote #6)</i>	RPR290	015-0639-00	Snap-In AC Receptacle	M9, M9D, M11 & M11D
MIS044	002-0363-00	Pulse Solenoid	M9 <i>(see Page 3, Footnote #14)</i>	RPT113	011-0012-00	Max Register Thermometer	M9, M9D, M11 & M11D
				RPT460	No OEM Part # Available	Trim Pot Adjustment Tool	M9, M9D, M11 & M11D
				RPT462	No OEM Part # Available	Tubing (Silbrade)®	M9, M9D, M11 & M11D
				RPT480	015-0013-05	Cable Tie (High Temp)	M9, M9D, M11 & M11D
				RPT501	No OEM Part # Available	Double Ended Spanner Wrench	M9, M9D, M11 & M11D
				RPT663	No OEM Part # Available	Tubing (.125" ID Silicone)	M9, M9D, M11 & M11D

* See page 2 for more information regarding this part.