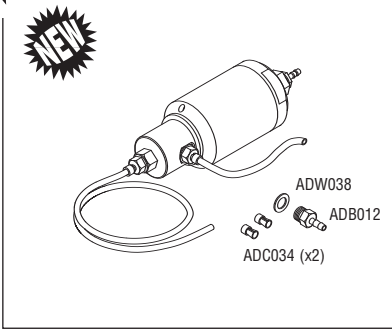


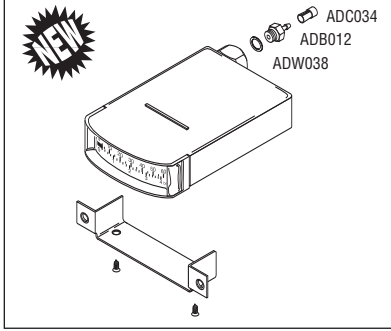
MORE NEW PARTS TO FIT PELTON & CRANE SPIRIT® AC DELIVERY UNITS



RPI Part #PCK775
OEM Part #51 51 779

ANTI-SIPHON VALVE KIT

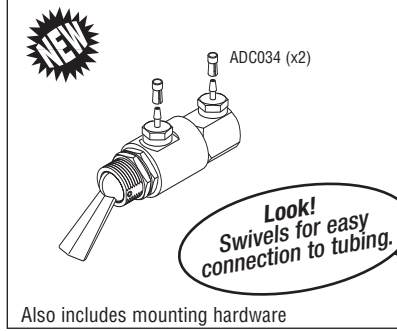
- Kit can be used to upgrade from metering valve style to improve water delivery time, or as a replacement for units already upgraded to anti-siphon valve style
 - Includes all parts as shown
 - Port size: #10-32
- Model:** Spirit AC (Serial #4839 and below)
Fits: Water Delivery Line



RPI Part #PCG760
OEM Part #30 04 484

PRESSURE GAUGE

- Bracket must be removed for gauge to fit Spirit AC Units
 - 0-60 PSI; 0-4 Bar
 - Includes all parts as shown
- Model:** Spirit AC

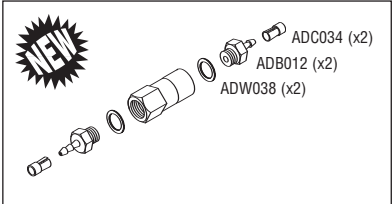
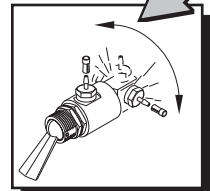


RPI Part #PCV766
OEM Part #15 33 764

VALVE TOGGLE SWITCH

- Replacement for Purge or On/Off Toggle Switch
 - Swivels for easy connection to tubing
 - Barb fitting size: 1/16"; Port size: #10-32; Mounts in 1/2" dia. hole
- Model:** Spirit AC

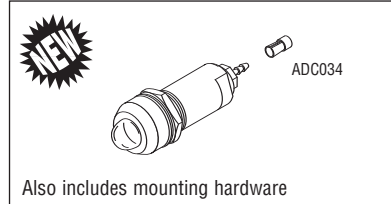
Look! Swivels for easy connection to tubing.



RPI Part #PCV767
OEM Part #18 98 902

CHECK VALVE

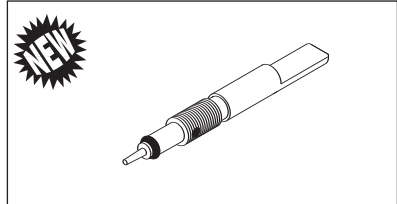
- Includes all parts as shown
- Model:** Spirit AC



RPI Part #PCL768
OEM Part #30 03 402

AIR INDICATOR (GREEN)

- Includes all parts as shown
 - Barb fitting size: 1/16"; Mounts in 1/2" dia. hole
- Model:** Spirit AC



RPI Part #PCV765
OEM Part # (No OEM Part # Available)

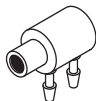
VALVE STEM

- 1.38" lg.
 - Copper with O-ring (RPI Part #RPO310)
 - Includes all parts as shown
- Fits:** Water Adjustment Valve (OEM Part #94 32 774)
Model: Spirit AC

RPI Part #PCV787
OEM Part #33 07 431

AUTOHOLDER VALVE

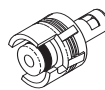
- Nickel plated brass
 - Normally closed
 - Barb fitting size: 1/16"
- Fits:** Handpiece Holders
Model: Spirit AC



RPI Part #PCC773
OEM Part #94 33 533

MALE QUICK CONNECT (1/16")

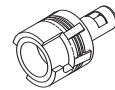
- Twist to connect
 - Coupling rotates freely
 - Material: Delrin® acetal
 - Mates with Female Quick Connect - 1/16" (RPI Part #PCC772)
- Model:** Spirit AC



RPI Part #PCC772
OEM Part #94 33 541

FEMALE QUICK CONNECT (1/16")

- Twist to connect
 - Coupling rotates freely
 - Material: Delrin® acetal
 - Mates with Male Quick Connect - 1/16" (RPI Part #PCC773)
- Model:** Spirit AC



RPI Part #RPO617
OEM Part #70 32 741

O-RING

- 12 per package; .165" ID x .229" OD x .032" C/S; Material: Buna N; Duro: 70
 - **Fits:** Upper Valve Stem of Valve Block Assembly (OEM Part #15 37 443)
- Model:** Spirit AC



ALSO AVAILABLE INSERT (SYRINGE)
RPI Part #PCI753
OEM Part#020892



replacement parts industries, inc.

CALL (800) 221-9723 • FAX (818) 882-7028 • EMAIL order@riparts.com • WEBSITE www.riparts.com

The above parts are manufactured by Replacement Parts Industries, Inc. to fit Pelton & Crane equipment. All product names used in this document are trademarks or registered trademarks of their respective holders. WEB flyer 03/07