



INTRODUCING THE RPI CENTRIFUGE MOTOR

That Fits Clay Adams

Autocrit I, II & III and Micro-Hematocrit I, II & III

RPI Part #CAM115

OEM Part # (No OEM Part # Available)

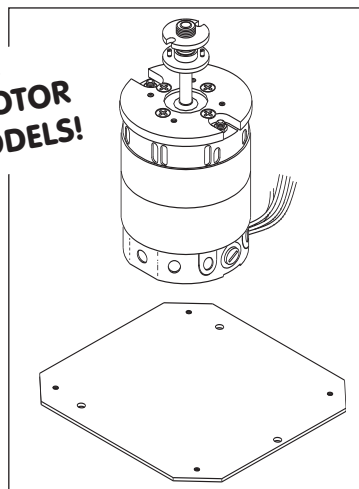
MOTOR & SPINDLE ASSEMBLY

- Read "GOOD NEWS!" below
- 120VAC, 60 Hz.
11,700 RPM (+22%, -10%)
- Includes motor, mounting plate*, shaft adapter, and spanner nut (head adapter and aluminum mounting plate installed)

Fits: Centrifuge housing

Models: Autocrit I, II & III and Micro-Hematocrit I, II & III

**LOOK...
ONE RPI MOTOR
FITS ALL MODELS!**



***GOOD NEWS!** RPI offers one motor that fits all the models and a new mounting plate is **FREE!** Since the head adapters on the old style motor assemblies cannot be removed on the Autocrit I & III and Micro-Hematocrit I & III, we will give you a new mounting plate for **FREE!** You'll need a round style mounting plate to fit the Autocrit I and Micro-Hematocrit I. You'll need a triangular style mounting plate to fit the Autocrit III and Micro-Hematocrit III. The mounting plate that fits the Autocrit II and Micro-Hematocrit II, comes standard with the new RPI motor.

RPI Parts to fit Clay Adams Autocrit I, II & III and Micro-Hematocrit I, II & III			AUTOCRIT I	AUTOCRIT II	AUTOCRIT III	MICRO-HEMATOCRIT I	MICRO-HEMATOCRIT II	MICRO-HEMATOCRIT III
RPI PART #	OEM PART #	DESCRIPTION						
CAB018	42000102	BRUSH	•	•	•	•	•	•
CAL082	42010110	PILOT LIGHT		•	•		•	
CAC036	42052104	RUBBER CHANNEL	•			•		
CAC015	42054109	POWER CORD	•	•	•	•	•	•
CAM049	42055101	MOTOR ASSEMBLY - SEE CAM115	See CAM115			See CAM115		
CAB017	42055102	BRUSH				•	•	•
CAT046	42055104	MECHANICAL TIME SWITCH (30 MINUTES)	•			•		
CAS052	42055107	SAFETY SWITCH	•		•	•		
CAH032	42055112	RUBBER HEADLINER				•	•	•
CAS009	42055113	SHOCK MOUNT ASSEMBLY	•			•		
CAF014	42055114	SUCTION CUP FOOT	•			•		
CAM115	42055801	MOTOR & SPINDLE ASSEMBLY (Replaces OEM Part #42055101 & 42057501)	•	•	•	•	•	•
CAT074	42055805	ELECTRIC TIME SWITCH (15 MINUTES)		•	•		•	•
CAS051	42055806	SAFETY SWITCH		•	•		•	•
CAM050	42057501	MOTOR ASSEMBLY - SEE CAM115			See CAM115			See CAM115
CAL033	42059001	RUBBER CARRYING TRAY LINER	•	•	•			
CAL054	42059003	RUBBER HUB LINER		•	•		•	•
IEB024	OEM # Not Available	BRUSH	•		•	•		•
RPC036	OEM # Not Available	BRUSH CAP	•	•	•	•	•	•
RPC037	OEM # Not Available	BRUSH CAP WITH INSERT	•		•	•		•
CAA001	OEM # Not Available	HEAD ADAPTER ASSEMBLY	•			•		
CAA053	OEM # Not Available	HEAD ADAPTER ASSEMBLY		•	•		•	•
CAK003	OEM # Not Available	HEAD COVER KNOB				•	•	
CAK002	OEM # Not Available	HEAD COVER KNOB ASSEMBLY	•	•				
CAC048	OEM # Not Available	MOTOR MOUNTING GASKET	•			•		



replacement parts industries, inc.

CALL (800) 221-9723 • FAX (818) 882-7028 • EMAIL order@rpiparts.com • WEBSITE www.rpiparts.com

The above parts are manufactured by Replacement Parts Industries, Inc. to fit Clay Adams equipment. All product names used in this document are trademarks or registered trademarks of their respective holders. No Prices 06/05