



replacement parts industries, inc.

A Healthcare Components Group Company  
CALL 800-221-9723 or 818-882-8611 • FAX 818-882-7028  
E-MAIL: techsupport@rpiparts.com • WEBSITE: www.rpiparts.com

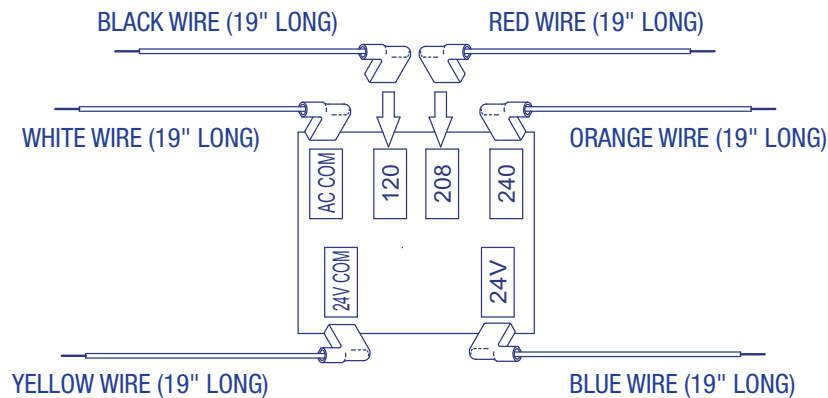
## VPT143 TRANSFORMER INSTALLATION INSTRUCTIONS

The wiring that is included in this kit allows the transformer to be used for a wide range of applications. Also included in this kit are (3) extra 1/4" Quick Connect Terminals to allow for customization of the wire terminations if needed.

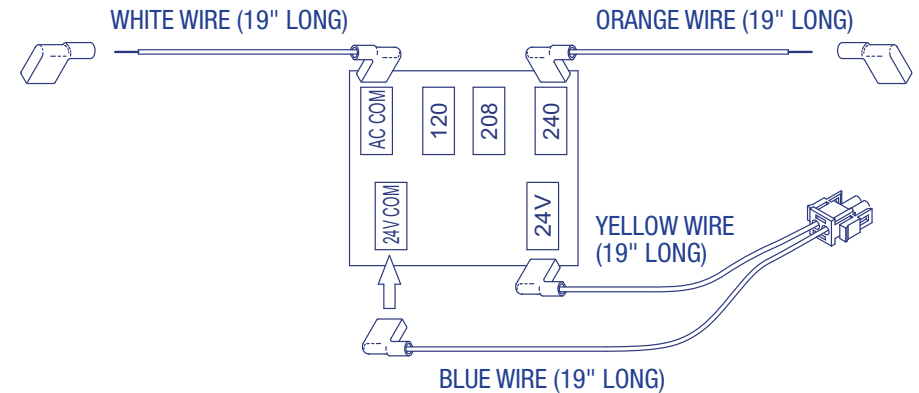
### IMPORTANT WIRING CONFIGURATION INFORMATION

Shown in the illustrations are instructions for three different wiring configurations specific to different vacuum pump models. Be sure to follow only the wiring configuration instructions for the model you are servicing.

### WIRING CONFIGURATION TO FIT ALL APOLLO/MIDMARK MODELS (APOLLO PART #ETR10500)



### WIRING CONFIGURATION TO FIT MIDMARK POWERVAC P Series (MIDMARK PART #015-1986-00)



### WIRING CONFIGURATION TO FIT MIDMARK POWERVAC G Series (MIDMARK PART #002-1442-00)

