



replacement parts industries, inc.

CALL 800-221-9723 or 818-882-8611 • FAX 818-882-7028
E-MAIL: techsupport@rpiparts.com • WEBSITE: www.rpiparts.com

"The Alternate Source"

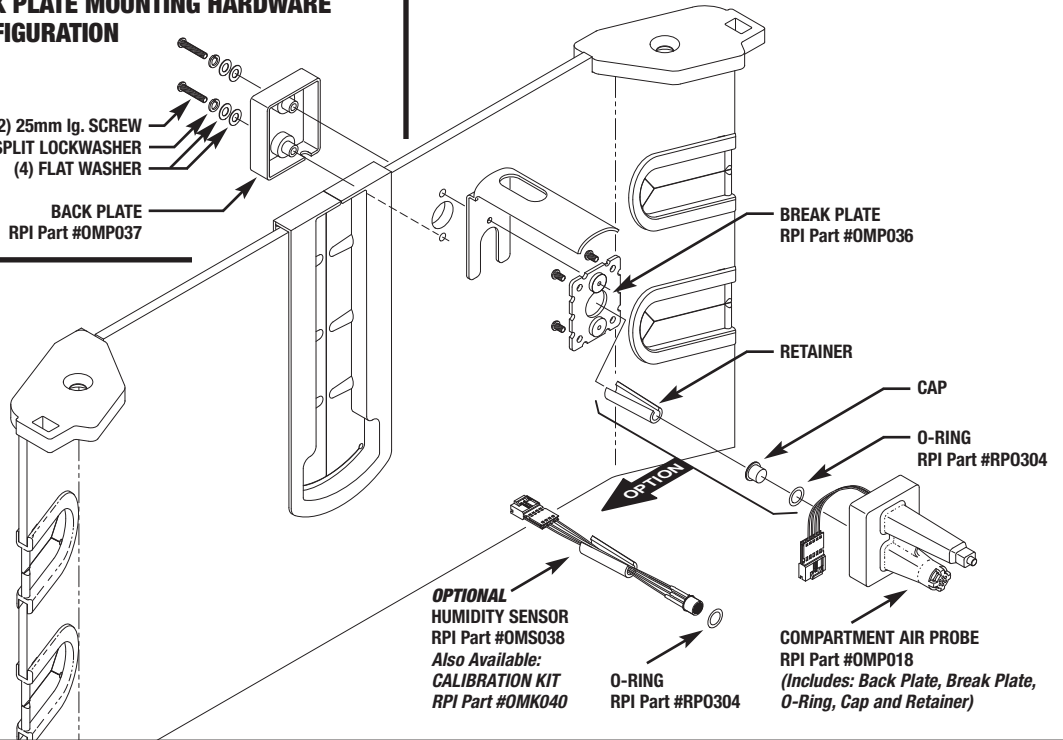
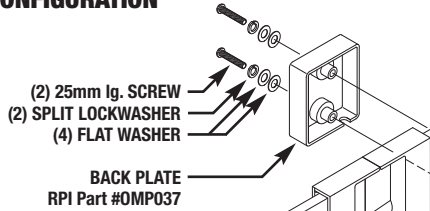
OMP018 & OMP037 COMPARTMENT AIR PROBE AND BACK PLATE INSTALLATION INSTRUCTIONS

Note: The mounting hardware included in this Kit will accommodate two different versions of the assembly as shown below.

INCUBATOR

Please note the hardware configuration of the Back Plate when installing on a Giraffe® Incubator

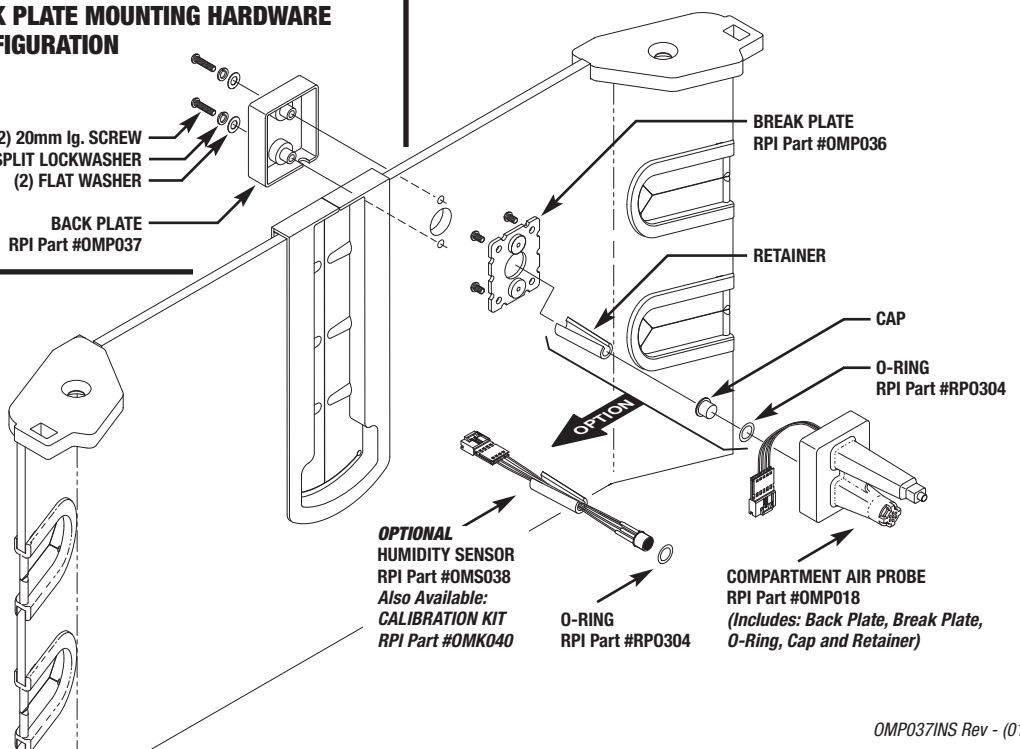
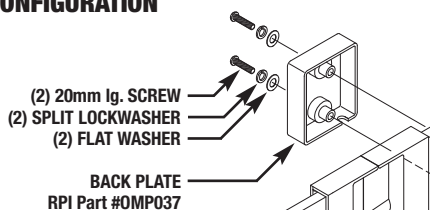
BACK PLATE MOUNTING HARDWARE CONFIGURATION



OMNIBED®

Please note the hardware configuration of the Back Plate when installing on a Giraffe® OmniBed®

BACK PLATE MOUNTING HARDWARE CONFIGURATION



OMP037INS Rev - (01/14)