



replacement parts industries, inc.

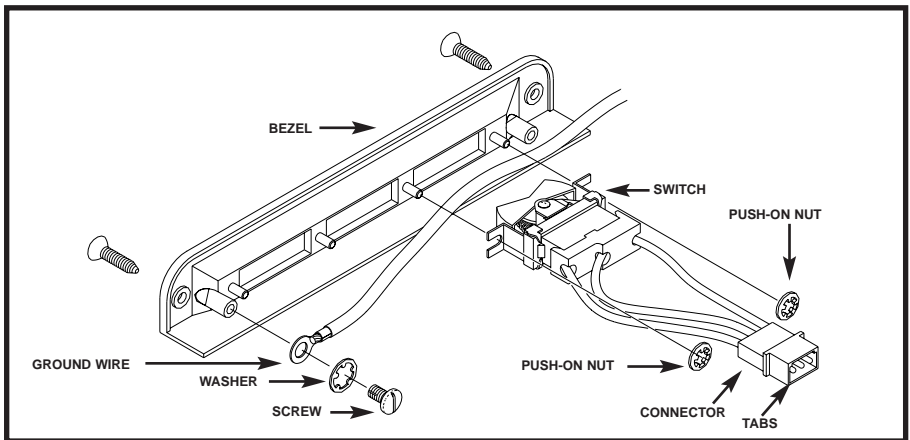
"The Alternate Source"™

CALL 800-221-9723 or 818-882-8611 • FAX 818-882-7028

E-MAIL: techsupport@rpiparts.com • WEBSITE: www.rpiparts.com

DES606 AUTO POSITION SWITCH REPLACEMENT KIT INSTALLATION INSTRUCTIONS

1. Disconnect AC power to the chair.
2. Set all potentiometers at "9". Loosen the set screws in each knob and remove the knobs. Remove the 3/8" nuts from the potentiometer shafts.
3. Remove the back cover.
4. Remove the two screws from the switch bezel. Disconnect the switch leads from the wiring harness. Remove the bezel from the chair back.
5. Remove the push nuts from the switch mounting posts. Remove the switch.
6. Install the replacement switch (RPI Part #DES606) in the bezel with the push nuts provided.



7. Secure the bezel to the chair back and connect the switches to the harness as follows:
Top.....Blue/White/Black
Middle.....Red/Orange/Black
Bottom.....Red/Blue/Brown
8. Replace the potentiometers in the back cover. Replace the back cover on the chair. Install the potentiometer dials in the "9" position. Tighten the set screws in each knob.
9. Connect AC power to the chair and check for proper operation.