



replacement parts industries, inc.

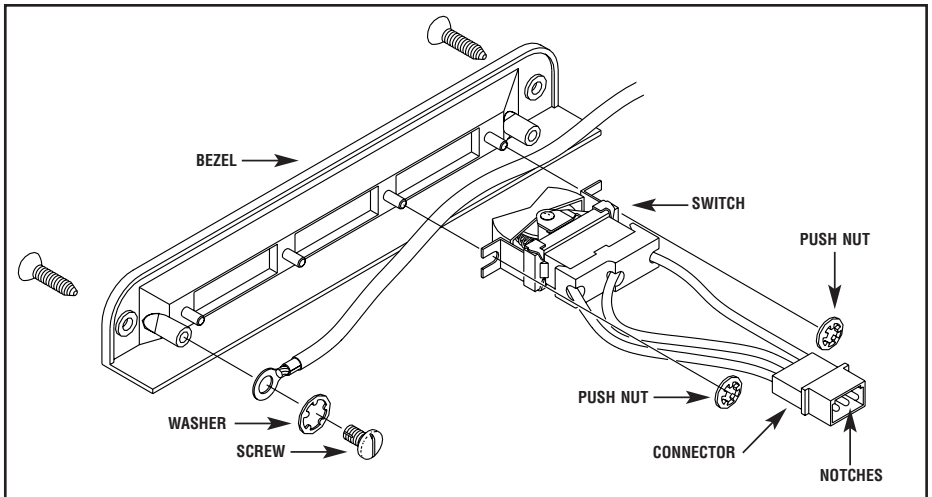
"The Alternate Source"[™]

CALL 800-221-9723 or 818-882-8611 • FAX 818-882-7028

E-MAIL: techsupport@rpiparts.com • WEBSITE: www.rpiparts.com

DES605 MOMENTARY SWITCH REPLACEMENT KIT INSTALLATION INSTRUCTIONS

1. Disconnect AC power to the chair. Remove the two screws on the back cover, nearest the switch bezel.
2. Remove the two screws securing the bezel to the back of the chair.
3. Pull the bezel assembly out from the chair back to expose the switch connectors.
4. Disconnect the bezel assembly from the chair wiring harness. Remove the ground wire from the bezel.
5. Remove the faulty switch by prying off the push nuts to the bezel.
6. Install the replacement switch (RPI Part #DES605) and fasten it to the bezel with the push nuts provided. Connect the switches to the wiring harness.



Note: The notches on the worn connectors must match for proper connection.

7. Secure the ground (Green) wire to the bezel and replace the bezel on the chair back.
8. Secure the bezel assembly to the chair using the two screws removed in Step 2.
9. Connect AC power to the chair and check for proper operation.