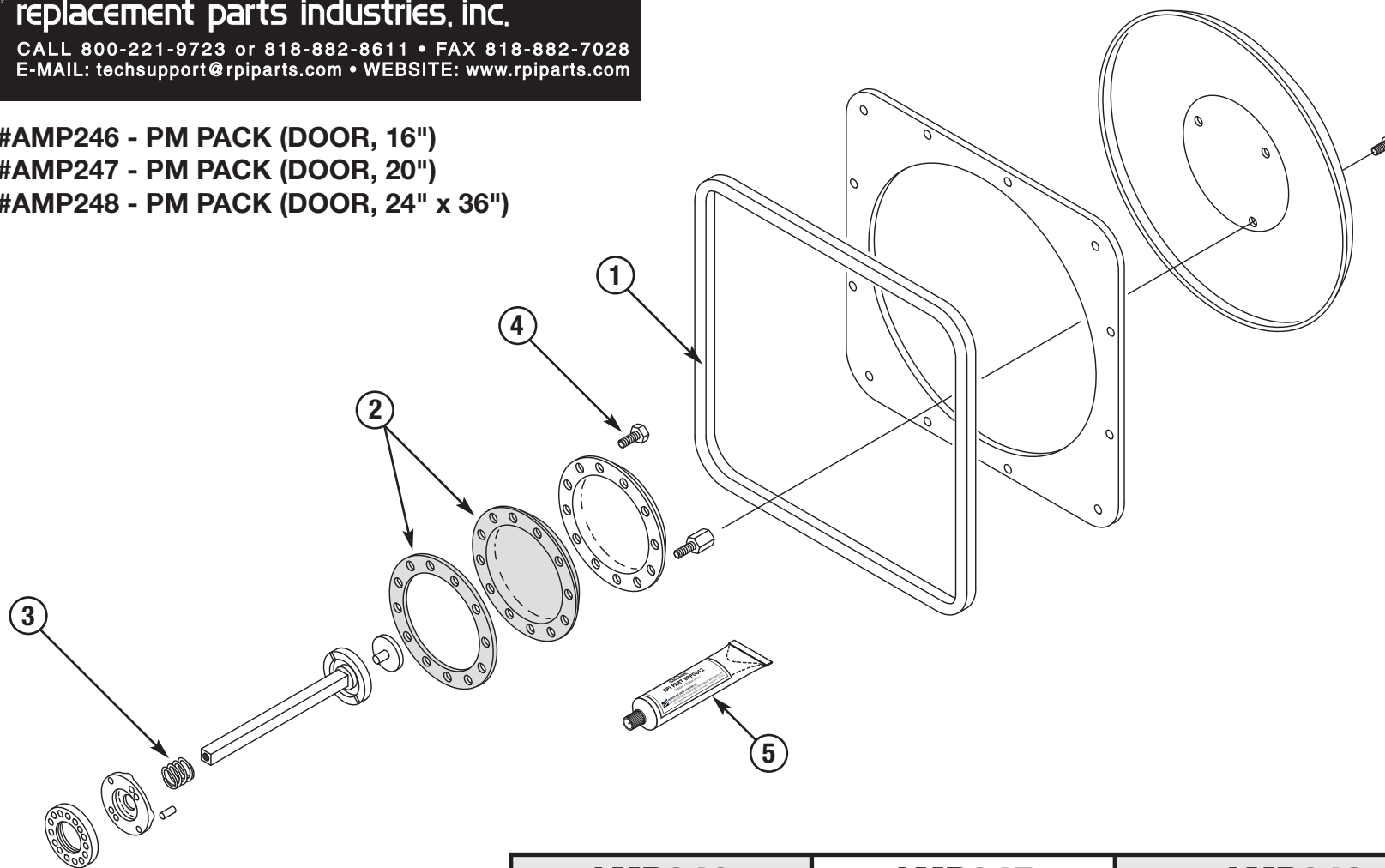




replacement parts industries, inc.

CALL 800-221-9723 or 818-882-8611 • FAX 818-882-7028
 E-MAIL: techsupport@rpiparts.com • WEBSITE: www.rpiparts.com

RPI Part #AMP246 - PM PACK (DOOR, 16")
 RPI Part #AMP247 - PM PACK (DOOR, 20")
 RPI Part #AMP248 - PM PACK (DOOR, 24" x 36")



ITEM	QTY	DESCRIPTION	AMP246 PM PACK (DOOR, 16") <i>RPI Part #'s included in Kit</i>	AMP247 PM PACK (DOOR, 20") <i>RPI Part #'s included in Kit</i>	AMP248 PM PACK (DOOR, 24" x 36") <i>RPI Part #'s included in Kit</i>
1	1	DOOR GASKET	AMG009	AMG010	AMK059
2	1	SNAP ACTION DIAPHRAGM WITH GASKET (RPI Part #AMG101)	AMD078	AMD078	AMD078
3	1	SPRING (LOCK CLUTCH)	AMS249	AMS249	AMS249
4	4	CAP SCREW	AMS250	AMS250	AMS250
5	1	GREASE	RPG812	RPG812	RPG812