



"The Alternate Source™"

replacement parts industries, inc.

CALL 800-221-9723 or 818-882-8611 • FAX 818-882-7028
E-MAIL: techsupport@rpiparts.com • WEBSITE: www.rpiparts.com

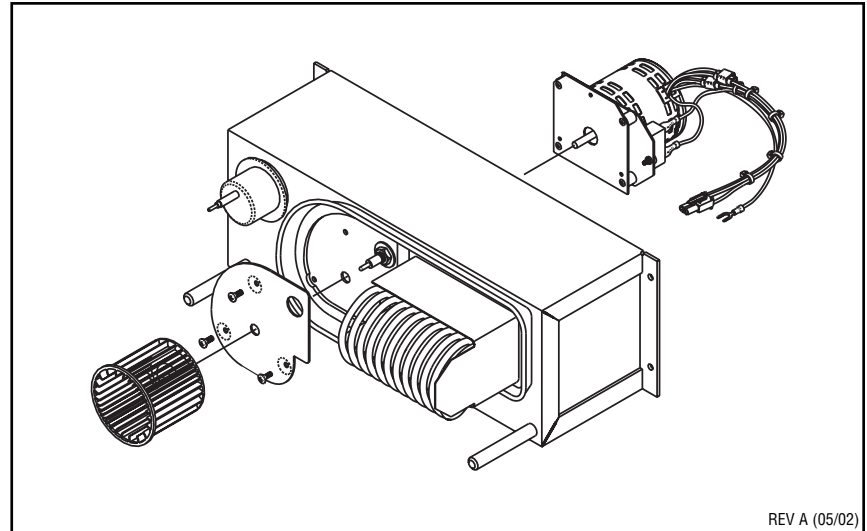
AIK007 & AIK010 MOTOR KIT INSTALLATION INSTRUCTIONS

CAUTION

***The RPI replacement motors (RPI Part #AIK007 and AIK010) are permanently oiled.
Any additional oil will cause permanent damage.***

1. Remove incubator power unit.
2. Remove old motor assembly.
3. Install new motor kit (RPI Part #AIK007) as illustrated to the right. Route all wiring so that no wires make contact with motor, otherwise the motor vibrating against the wires will cause noise.
4. Replace incubator power unit.
5. After installation of new motor kit, check High Temperature Alarm Limit and Oxygen Concentration Level per service manual.

NOTE: While the power unit is out of the incubator, inspect the Thermostat Plug Gasket (RPI Part #AIG017) and Power Unit Gasket (RPI Part #AIG018). If these gaskets are worn, replace them.



REV A (05/02)