



replacement parts industries, inc.

CALL 800-221-9723 or 818-882-8611 • FAX 818-882-7028  
E-MAIL: techsupport@rpi.com • WEBSITE: www.rpiparts.com

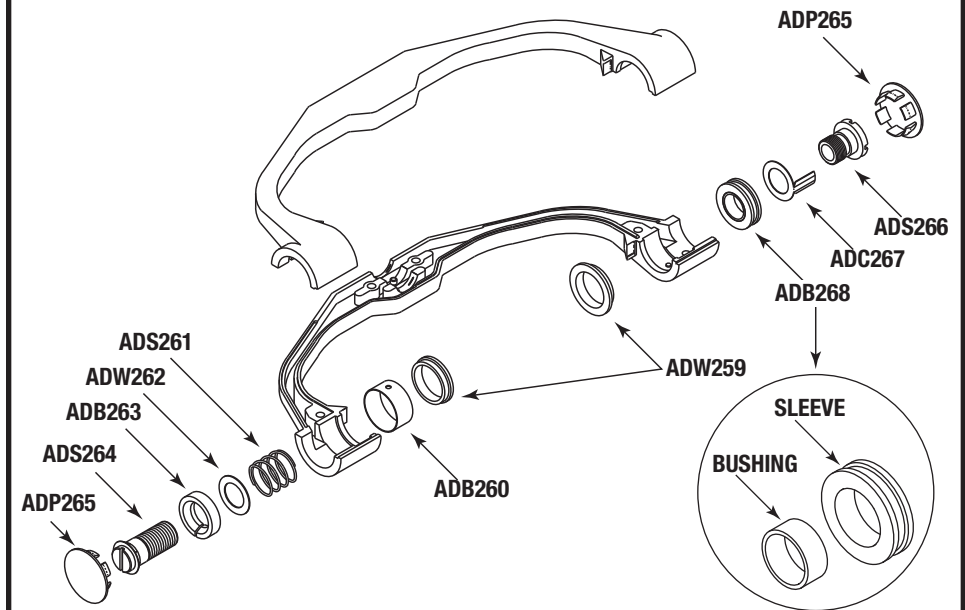
## ADK258 PIVOT TENSION KIT INSTALLATION INSTRUCTIONS

The assembly order of the parts included in our Pivot Tension Kit vary dramatically depending upon the Light Head. The Light Heads will use all or some of the parts included in our Pivot Tension Kit.

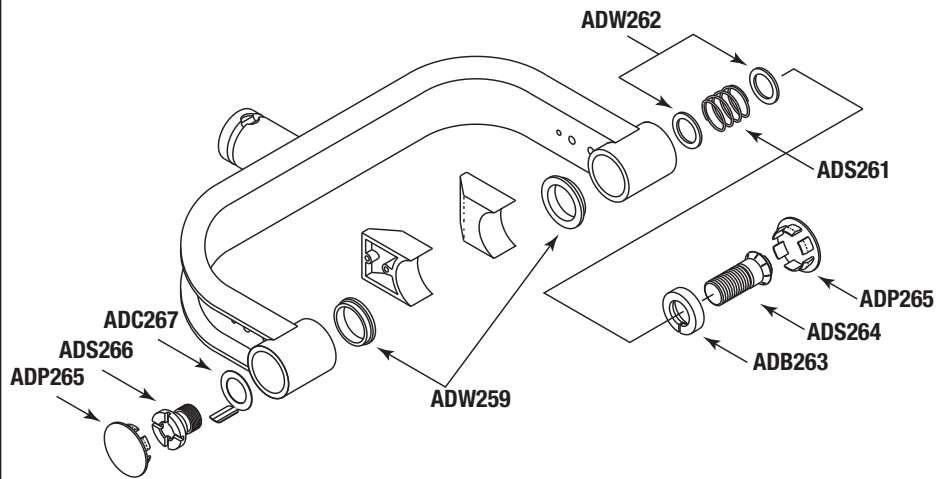
Use this exploded view as a guide, but take note of the parts and the order of assembly for the Light Head you are disassembling.

ADK258INS REV- (09/12)

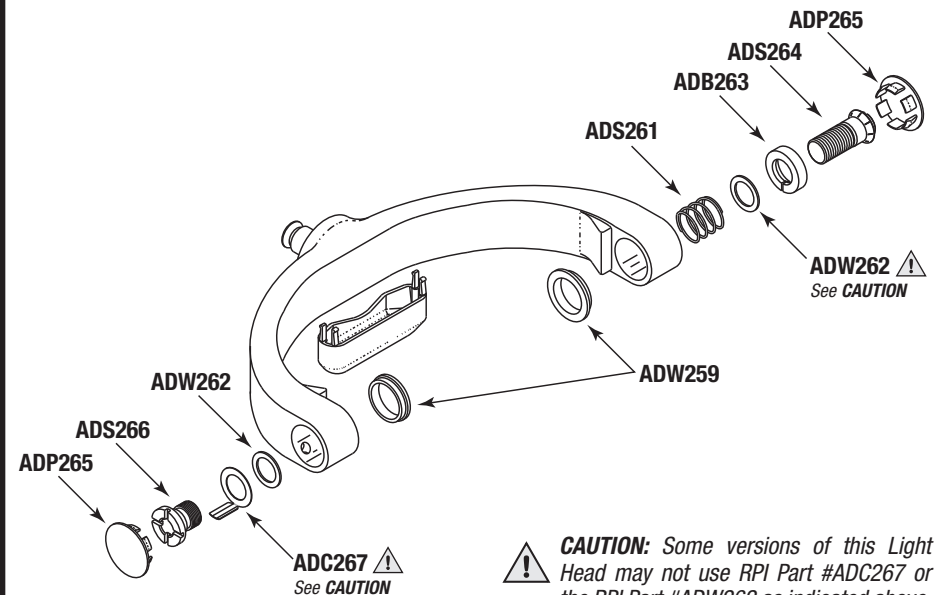
### TWO PIECE YOKE 1987 THRU 1994



### ONE PIECE HOLLOW YOKE 1985 THRU 1987



### ONE PIECE YOKE 1994 TO PRESENT



**CAUTION:** Some versions of this Light Head may not use RPI Part #ADC267 or the RPI Part #ADW262 as indicated above.