

Model: Cascade 1040; Decade 1010, 1011, 1020 & 1021; Performer I, II & III; Positioner 1030; Priority 1005



# Introducing New Switches to fit A-dec Dental Chairs!



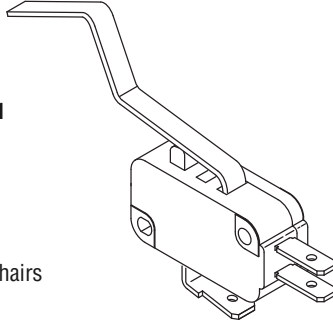
RPI Part #ADS211  
New OEM Part #044.184.01  
Old OEM Part #044.049.01

**LIMIT SWITCH (MODIFIED)**

- SPDT
- 15.1A @ 125/250 VAC
- .187" tabs

**Fits:** Various positions & chairs

**Models:**  
Cascade 1040  
Decade 1010, 1011, 1020 & 1021  
Performer III  
Positioner 1030  
Priority 1005



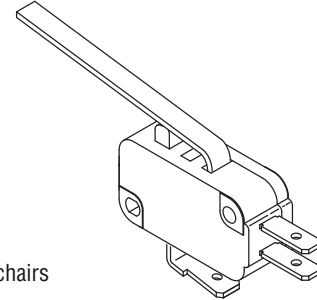
RPI Part #ADS212  
New OEM Part #044.184.00  
Old OEM Part #044.049.00

**MICRO-SWITCH**

- SPDT
- 15.1A @ 125/250 VAC
- .187" Tabs

**Fits:** Various positions and chairs

**Models:**  
Decade 1010, 1011, 1020 & 1021  
Performer I, II & III



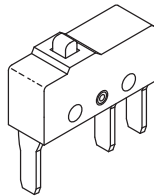
RPI Part #ADS223  
OEM Part #041.119.00

**SWITCH (MINIATURE)**

- 10.1A @ 125/250VAC

**Fits:** 8 Function Footswitch (ADEC part number 61.3043.80) 100VAC/120VAC & 240 VAC

**Models:**  
Priority 1005 (Serial # M1-0001 to Present)



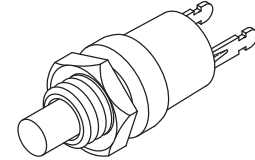
RPI Part #ADS224  
OEM Part #041.059.00

**SWITCH (PUSHBUTTON)**

- 5A @ 120VAC, 2.5A @ 220VAC
- SPST; Momentary (N.O.)
- Black Button
- Panel mount with mounting nut

**Fits:** 8 Function Footswitch, Multi-Function Footswitch, Auto Return and Pre-position Assemblies

**Models:**  
Cascade 1040  
Decade 1021  
Priority 1005 (Serial # D3-0135 to present)



## RPI also carries Cylinders & Hydraulic Fluid to fit A-dec Dental Chairs!

RPI Part #	OEM Part #	Description	Cascade	Decade				Priority	
			1040	1010	1011	1015	1020	1021	1005
ADC174	61-0860-00	TILT CYLINDER KIT							•
ADC175	61-0850-00	LIFT CYLINDER KIT							•
ADC176	61-1287-00	LIFT CYLINDER KIT	•	•	•	•	•	•	
ADC177	61-2050-00	TILT CYLINDER	•						
ADC178	61-1267-00	TILT CYLINDER		•	•	•	•	•	
RPF449	No OEM # available	HYDRAULIC FLUID - 16 oz.	•	•	•	•	•	•	•
RPF453	No OEM # available	HYDRAULIC FLUID, CASE - 12 (16 oz.)	•	•	•	•	•	•	•

### Watch for more parts to fit A-dec Dental Chairs!

Don't forget all of our other parts to fit A-dec Century II and Century Plus Dental Delivery Systems including the Control Block Service Kit, Handpiece Control Block Kit, Air Valve Cover Kit, Water Cover Valve Kit, Master Control Block Kit, 3 Block Tie Bolt Kit, Black and Gray Knob Sets, and more!



**replacement parts industries, inc.**

CALL (800) 221-9723 • FAX (818) 882-7028 • EMAIL [order@rpiparts.com](mailto:order@rpiparts.com) • WEBSITE [www.rpiparts.com](http://www.rpiparts.com)

The above parts are manufactured by Replacement Parts Industries, Inc. to fit A-dec equipment. All product names used in this document are trademarks or registered trademarks of their respective holders. Website Fax 09/10