



replacement parts industries, inc.

CALL 800-221-9723 or 818-882-8611 • FAX 818-882-7028  
E-MAIL: techsupport@rpiparts.com • WEBSITE: www.rpiparts.com

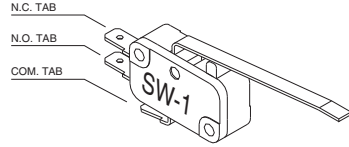
## TUK061 MICRO-SWITCH KIT INSTALLATION REFERENCES

### WIRING SWITCHES

WIRE #10 TO HEATERS,  
JUMPER #10 TO SW-2 N.C.

OPEN

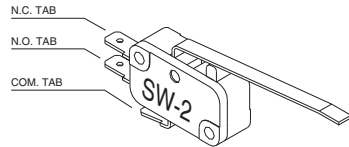
WIRE #6 FROM TIMER



JUMPER #10 FROM SW-1 N.C.,  
"DRY" LIGHT WIRE & "HEAT" LIGHT WIRE

JUMPER #7 TO SW-3 N.O.

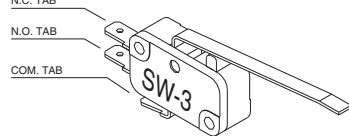
WIRE #9 TO "DRY" LIGHT  
WIRE #9 TO HEATERS



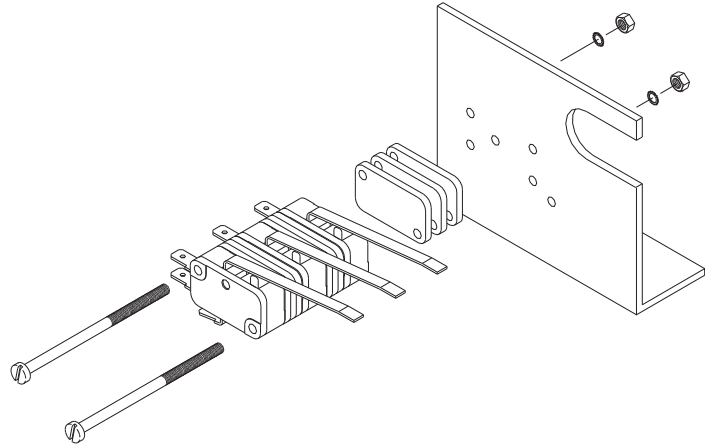
WIRE #13 TO TEMPERATURE CONTROL

JUMPER #7 FROM SW-2 N.O.

WIRE #14 FROM POWER SWITCH



### MOUNTING SWITCHES

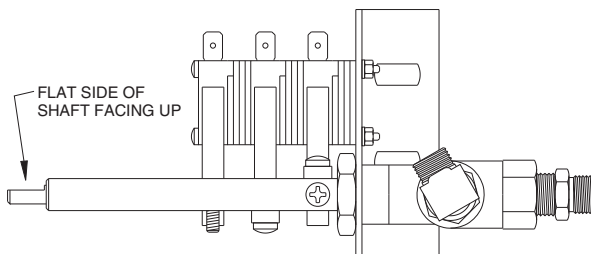


ASSEMBLE (3) SWITCH SPACERS  
BETWEEN SWITCHES AND  
MOUNTING BRACKET AS SHOWN

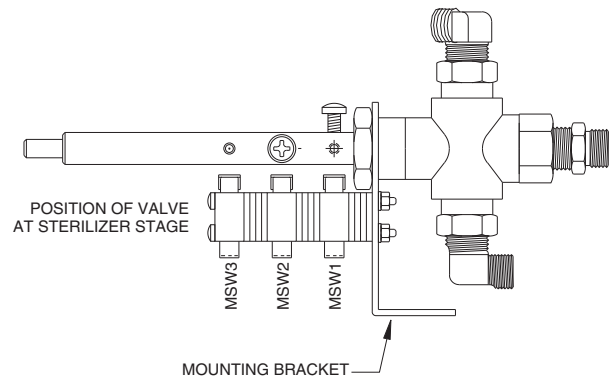
### SWITCH OPERATION & VALVE POSITION

VALVE POSITION	SWITCH OPERATION		
0	SWITCH CLOSED	SWITCH OPEN	SWITCH OPEN
FILL	SWITCH CLOSED	SWITCH OPEN	SWITCH OPEN
STE	SWITCH OPEN	SWITCH OPEN	SWITCH OPEN
EXH-DRY	SWITCH OPEN	SWITCH CLOSED	SWITCH CLOSED
MICRO-SWITCH	MSW1	MSW2	MSW3

SWITCH CLOSED = SWITCH ACTUATED      SWITCH OPEN = SWITCH NOT ACTUATED



TOP VIEW



SIDE VIEW