



replacement parts industries, inc.

"The Alternate Source"<sup>™</sup>

CALL 800-221-9723 or 818-882-8611 • FAX 818-882-7028  
E-MAIL: techsupport@rpiparts.com • WEBSITE: www.rpiparts.com

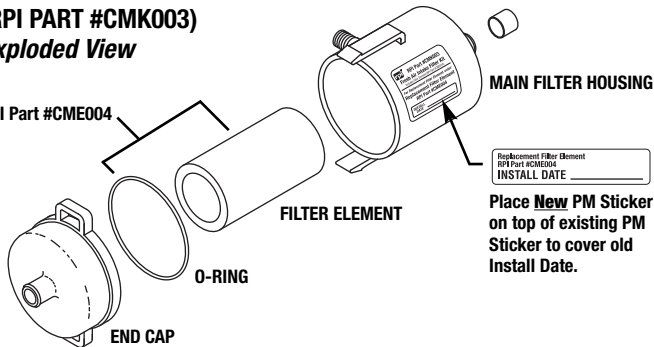
## CME004 REPLACEMENT FILTER ELEMENT INSTALLATION INSTRUCTIONS

**Note:** This Filter Element is a replacement filter element for the Fresh Air Intake Filter Kit (RPI Part #CMK003) only.

1. Do not remove the Main Filter Housing when replacing the new Filter Element (RPI Part #CME004)
2. Press down on the two tabs to release the End Cap.
3. Inspect the seals located at each end. Replace the O-ring located in the End Cap.
4. Remove any debris before installing the new Filter Element.
5. Record the install date on the new PM Sticker and place it on the bottom portion of the existing PM Sticker (located on the Main Filter Housing) to cover the old install date as shown in the illustration.

### FRESH AIR INTAKE FILTER KIT (RPI PART #CMK003) *Exploded View*

RPI Part #CME004



CME004INS for website only Rev - 08/14