

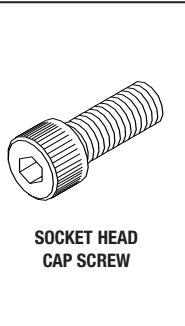


SOCKET HEAD CAP SCREWS, SET SCREWS AND L-HEX WRENCH SETS!

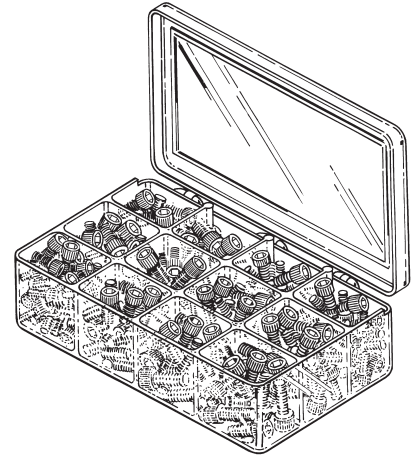
RPI PART #ADK110
SOCKET HEAD CAP SCREW KIT

- Kit includes 12-compartment storage case (RPI Part #RPB416)
- Stainless steel
- Hardware is also sold separately in quantities indicated below

RPI PART #	SIZE	QTY
ADS053	#6-32 x 1/4" lg.	10
ADS111	#6-32 x 3/8" lg.	25
ADS112	#6-32 x 1/2" lg.	25
ADS113	#6-32 x 5/8" lg.	25
ADS114	#6-32 x 7/8" lg.	25
ADS115	#6-32 x 1" lg.	25
ADS116	#4-40 x 1/4" lg.	25
ADS117	#4-40 x 3/8" lg.	25
ADS118	#4-40 x 1/2" lg.	25
ADS119	#4-40 x 3/4" lg.	25
ADS120	#2-56 x 1/2" lg.	25
ADS121	#1/4-20 x 5/8" lg.	15



SOCKET HEAD
CAP SCREW

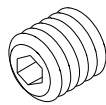


ADK110
SOCKET HEAD
CAP SCREW KIT

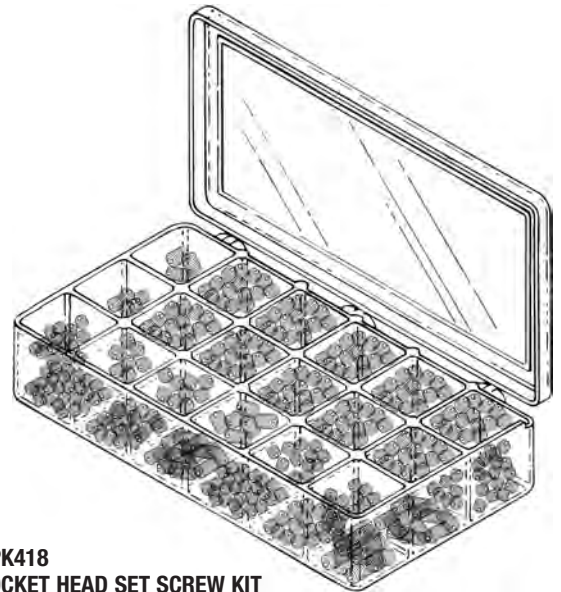
RPI PART #RPK418
SOCKET HEAD SET SCREW KIT

- Kit includes 18-compartment storage case (RPI Part #RPB417)
- Heat treated alloy steel have black finish
- Cup point
- Hardware is also sold separately in quantities indicated below

RPI PART #	SIZE	QTY
RPH191	#4-40 x 1/8" lg.	50
RPH192	#4-40 x 3/16" lg.	50
RPH193	#4-40 x 1/4" lg.	50
RPH194	#6-32 x 1/8" lg.	50
RPH195	#6-32 x 3/16" lg.	50
RPH196	#6-32 x 1/4" lg.	50
RPH197	#6-32 x 5/16" lg.	50
RPH198	#6-32 x 3/8" lg.	50
RPH199	#8-32 x 1/8" lg.	50
RPH200	#8-32 x 3/16" lg.	50
RPH201	#8-32 x 1/4" lg.	50
RPH202	#8-32 x 5/16" lg.	50
RPH203	#8-32 x 3/8" lg.	50
RPH204	#10-32 x 3/16" lg.	50
RPH205	#10-32 x 1/4" lg.	50
RPH206	#10-32 x 5/16" lg.	50
RPH207	#10-32 x 3/8" lg.	50
RPH208	#10-32 x 1/2" lg.	50



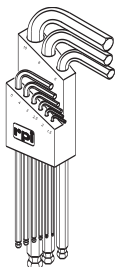
SOCKET HEAD
SET SCREW
CUP POINT



RPK418
SOCKET HEAD SET SCREW KIT

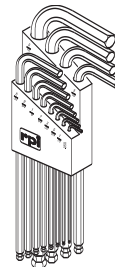
RPI Part #RPT539
L-HEX WRENCH SET (METRIC)

- 9 piece set
- 1.5 mm through 10 mm
- Corrosion protected steel
- Made by Bondhus®



RPI Part #RPT540
L-HEX WRENCH SET (INCH)

- 13 piece set
- .050" through 3/8"
- Corrosion protected steel
- Made by Bondhus®



RPI Part #RPA032
THREADLOCKER 242

- 5 per package
- .02 fl. oz. per unit
- Prevents rust and corrosion
- Removable adhesive by Loctite®
- MSDS and Technical Data sheet available on RPI website

