

NEW TRAYS & RACKS TO FIT TUTTNAUER MANUAL & AUTOMATIC STERILIZERS!

1730 Series

NEW

RPI Part #TUK163
OEM Part #TRH173-0005 (Tray Holder)/TRY173-0008 Tray (Wire)

HOLDER AND TRAY KIT

- Material: Stainless steel
- Includes all parts as shown
- All parts also sold separately

Fits: Chamber
Models: Valueklave (1730MKV) & 1730E/EK/M/MK

NEW RPI Part #TUH164
OEM Part #TRH173-0005 (Replaces CU510010)
TRAY HOLDER

NEW RPI Part #TUT165
OEM Part #TRY173-0008 (Replaces CU520010)
TRAY (WIRE)

- Size: 5.46" x 12.25"

EZ9 & 2340 Series

NEW

RPI Part #TUK166
OEM Part #TRH234-0012 (Tray Holder)/TRY254-0003 Tray (Wire)

HOLDER AND TRAY KIT

- Material: Stainless steel
- Includes all parts as shown
- All parts also sold separately

Fits: Chamber
Models: EZ9, EZ9k & 2340E/EA/EK/EKA/M/MK

NEW RPI Part #TUH167
OEM Part #TRH234-0012 (Replaces CT510010)
TRAY HOLDER

NEW RPI Part #TUT168
OEM Part #TRY254-0003 (Replaces CT520010)
TRAY (WIRE)

- Size: 17.39" x 7.60"

EZ10 & 2540 Series

NEW

RPI Part #TUK169
OEM Part #TRH254-0036 (Tray Holder)/TRY254-0003 Tray (Wire)

HOLDER AND TRAY KIT

- Material: Stainless steel
- Includes all parts as shown
- All parts also sold separately

Fits: Chamber
Models: EZ10, EZ10k & 2540E/EK/EKA/M/MK

NEW RPI Part #TUH170
OEM Part #TRH254-0036 (Replaces CV510010)
TRAY HOLDER

NEW RPI Part #TUT168
OEM Part #TRY254-0003 (Replaces CT520010)
TRAY (WIRE)

- Size: 17.39" x 7.60"



replacement parts industries, inc.

CALL (800) 221-9723 • FAX (818) 882-7028 • EMAIL order@rpiparts.com • WEBSITE www.rpiparts.com

The above parts are manufactured by Replacement Parts Industries, Inc. to fit Tuttnauer equipment. All product names used in this document are trademarks or registered trademarks of their respective holders. 1810TU Show Updated 04/26/19



replacement parts industries, inc.

625 Cochran Street • Simi Valley, California • 93065

PRESORTED STANDARD
U.S. POSTAGE PAID
VAN NUYS, CA
PERMIT NO. 2399

ADDRESS SERVICES REQUESTED

NEW TRAYS & RACKS TO FIT TUTTNAUER MANUAL & AUTOMATIC STERILIZERS!

3870 Series



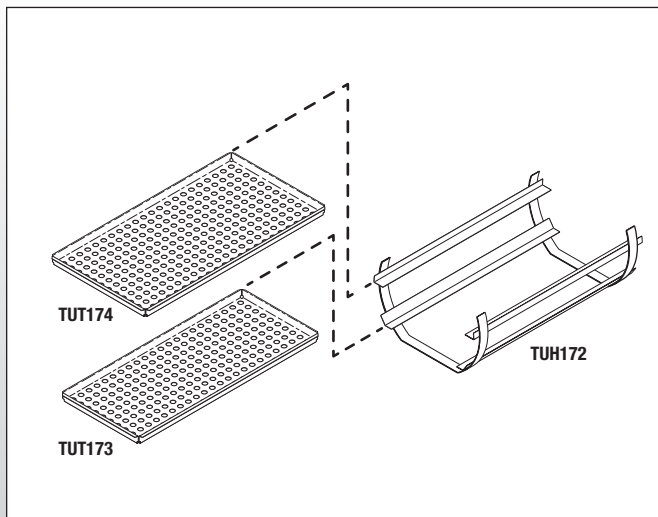
RPI Part #TUK171
OEM Part #CC510010 (Tray Holder)/
CC520010 (Large Tray)/
CC520020 (Small Tray)

HOLDER AND TRAY KIT

- Material: Stainless steel
- Includes all parts as shown
- All parts also sold separately

Fits: Chamber

Models: 3870E/EA/EK/EKA/M/MK



RPI Part #TUH172
OEM Part #CC510010
TRAY HOLDER

RPI Part #TUT173
OEM Part #CC520020
TRAY (SMALL)
• Size: 27.21" x 11.87"

RPI Part #TUT174
OEM Part #CC520010
TRAY (LARGE)
• Size: 27.21" x 14.43"

3 TIPS FOR KEEPING IT CLEAN!

1 Keep Trays and Racks Looking New!

Use a good drying and rinse agent that is a true surfactant to repel moisture and condensation – leaving the metal surfaces clean and bright! Ask for RPI's 2 oz. Sci-Dry™ (RPI Part #SCA054) and the handy 16 oz. refill bottle (RPI Part #SCA046).

2 Keep Chambers Clean!

To keep the chamber up-and-running, use a mild cleaning compound, formulated for descaling and removing water deposits, oxides, and other sediments that collect in the chamber. Ask for RPI's Tutt-Clean™ (RPI Part #TUC094), the perfect solution.

3 Use the Right Cleaning Tools!

RPI's cleaning kit includes all of the tools needed to clean the entire sterilizer – inside and out. Specially designed to keep organized multiple sized brushes, sponges, and pads, it's a must-have for keeping sterilizers functioning at their best. Ask for RPI's Cleaning Kit (RPI Part #RPK791).

RPI Part #SCA054
OEM Part #
(No OEM Part # Available)

1



SCI-DRY™ (2 oz.)

- Drying and rinse agent
- (1) 2 oz. spray bottle
- Also available: Sci-Dry™ case of 12 (2 oz.) spray bottles (RPI Part #SCA055)

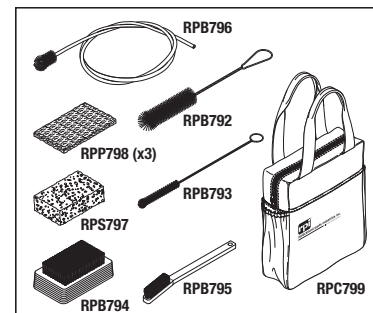
2

RPI Part #TUC094
OEM Part #CB0010



TUTT-CLEAN™

- Sterilizer cleaner
- (1) Box of 10 packets
- Also available: Tutt-Clean™ case of 12 boxes (RPI Part #TUC095)



RPI Part #RPK791
OEM Part #
(No OEM Part # Available)

3

CLEANING KIT

- Supplied in a convenient sturdy canvas Carrying Case (RPI Part #RPC799)
- Includes all parts as shown
- All parts also sold separately!