

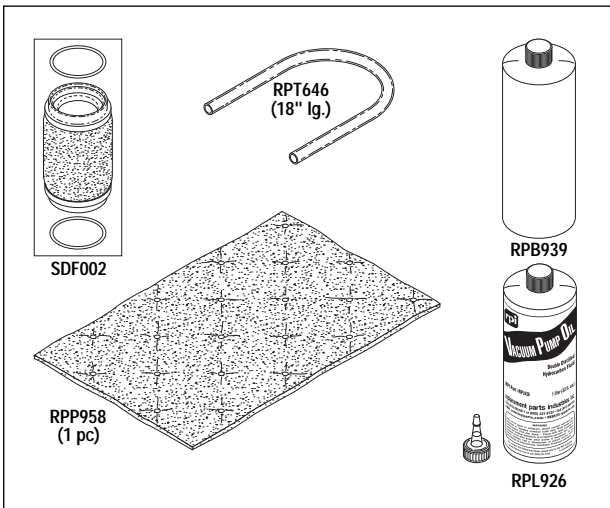
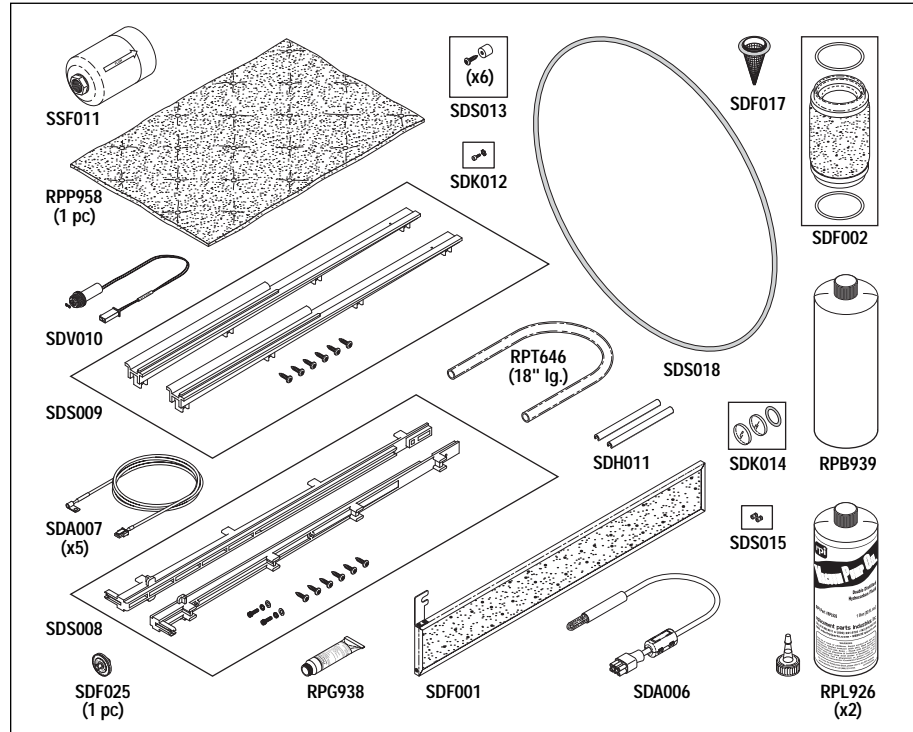
**Introducing
Parts to fit**

STERRAD NX & 100S STERILIZATION SYSTEMS!

RPI Part #SDK003
OEM Part #100798-02

PM-2 KIT

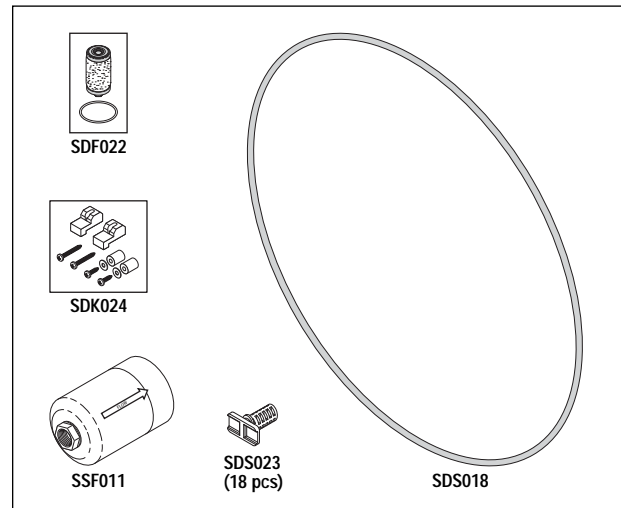
- This kit DOES NOT include the catalytic converter
 - Includes all parts as shown
- Models: NX



RPI Part #SDK020
OEM Part #05-06899-1-100

PM-1 Kit

- Includes all parts as shown
- Fits: Compressor
Models: 100S



RPI Part #SDK021
OEM Part #05-06899-2-200

PM-2 KIT

- This kit DOES NOT include catalytic converter
 - Includes all parts as shown
- Models: 100S



replacement parts industries, inc.

CALL (800) 221-9723 • FAX (818) 882-7028 • EMAIL order@ripiparts.com • WEBSITE www.ripiparts.com

The above parts are manufactured by Replacement Parts Industries, Inc. to fit the equipment noted. All product names used in this document are trademarks or registered trademarks of their respective holders. 1506SD Show 08/16

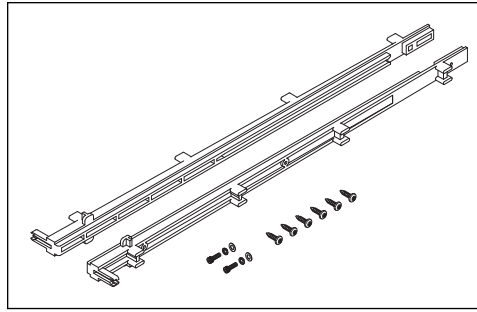


RPI Part #SDS008
OEM Part #33-53558-0-001

UPPER SHELF SUPPORT

- 2 per package
- Material: Polypropylene, natural color
- Includes: Mounting hardware
- Included in: PM-2 Kit (RPI Part #SDK003)

Fits: Chamber Module
Models: NX

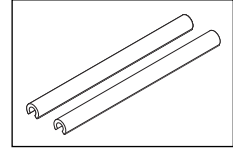


RPI Part #SDH011
OEM Part #33-05440-0-002

HANDLE (SHELF EXTENSION)

- 2 per package
- Material: Polypropylene, natural color
- Size: 5/16" dia. x 4-1/8" lg.
- Included in: PM-2 Kit (RPI Part #SDK003)

Fits: Shelf Extension
Models: NX

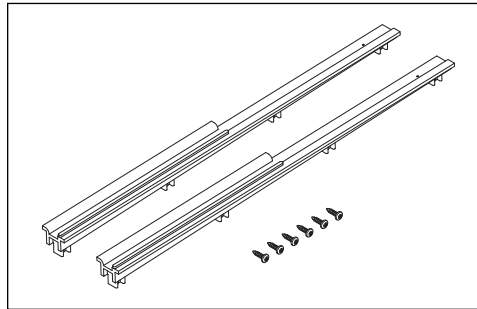


RPI Part #SDS009
OEM Part #33-51152-0-001

LOWER SHELF SUPPORT

- 2 per package
- Material: Polypropylene, natural color
- Includes: Mounting hardware
- Included in: PM-2 Kit (RPI Part #SDK003)

Fits: Chamber Module
Models: NX

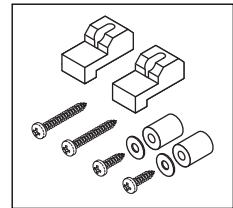


RPI Part #SDK024
OEM Part #33-02069-0-001

SHELF STOP KIT

- 2 per package
- Material: Nylon
- Includes: Mounting hardware
- Included in: PM-2 Kit (RPI Part #SDK021)

Fits: Chamber
Models: 100S

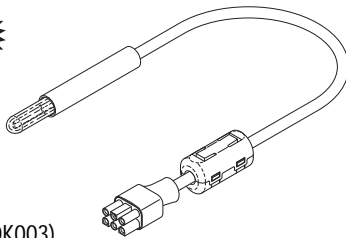


RPI Part #SDA006
OEM Part #40-52125-001

UV LAMP ASSEMBLY

- Rated at 900 VRMS
- 12" lg. cable with connector
- Includes: Ferrite suppression core
- Included in: PM-2 Kit (RPI Part #SDK003)

Fits: Hydrogen Peroxide Monitor and Detector
Models: NX

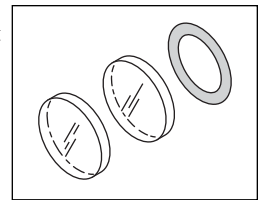


RPI Part #SDK014
OEM Part #32-51413-0-001 & 22-00537-209

OPTICAL WINDOW KIT

- Includes: (2) Optical windows and (1) Viton O-ring
- Included in: PM-2 Kit (RPI Part #SDK003)

Fits: Hydrogen Peroxide Monitor and Detector
Models: NX

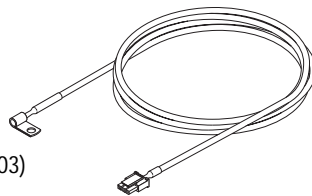


RPI Part #SDA007
OEM Part #40-52136-001

THERMISTOR ASSEMBLY

- Rated: 10K @ 25°C
- Cable length: 50" lg.
- Included in: PM-2 KIT (RPI Part #SDK003)
- Also available: Thermal Grease (ThermalCote™) (RPI Part #RPG938)

Fits: Door and Chassis
Model: NX

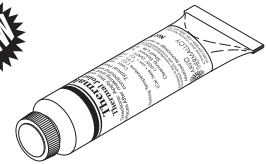


RPI Part #RPG938
OEM Part # (No OEM Part # Available)

THERMAL GREASE (THERMALCOTE™)

- Size: 1 oz. re-sealable tube
- Silicone based thermal grease
- Included in: PM-2 Kit (RPI Part #SDK003)

Used On: Thermistor Assembly
Models: NX & 100S

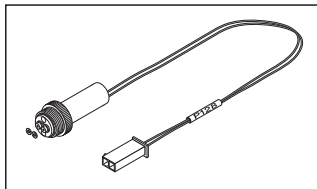


RPI Part #SDV010
OEM Part #28-53786-001

DELIVERY VALVE

- 24 VDC; 2 Way N.C.; 6 1/2" lg. wire leads with connector
- Includes: (2) FKM gaskets
- Included in: PM-2 Kit (RPI Part #SDK003)

Fits: Delivery System
Models: NX

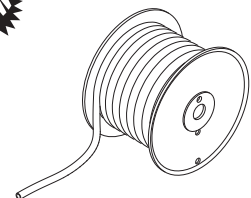


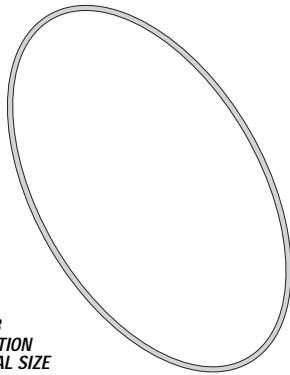
RPI Part #RPT646
OEM Part # (No OEM Part # Available)

TUBING (CLEAR 3/8" - ID PVC)

- 3/8" ID X 1/2" OD
- Sold by the foot (reel not included)
- Included in: PM-2 Kit (RPI Part #SDK003) and PM-2 Kit (RPI Part #SDK020).

Models: NX & 100S





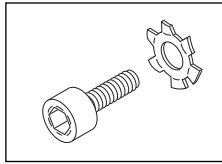
SDS018
CROSS SECTION
SHOWN ACTUAL SIZE

RPI Part #SDS018
OEM Part #22-00537-385

DOOR SEAL

- Size: 15.95" ID x 16.37" OD x .21" C/S
- Material: Black Viton, 75 duro
- Included in: PM-2 Kit (RPI Part #SDK003) and PM-2 Kit (RPI Part #SDK021)

Fits: Chamber Assembly
Models: NX & 100S

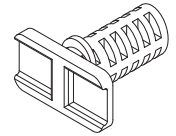


RPI Part #SDK012
OEM Part #109522-01

FEEDTHRU SCREW WASHER KIT

- Includes: Screw (M3 x 8 S/S Socket Head Cap Screw) and External Tooth Lock Washer (M3 S/S)
- Included in: PM-2 Kit (RPI Part #SDK003)

Fits: Electrode Assembly
Models: NX

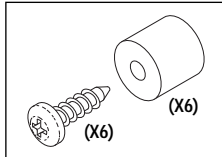


RPI Part #SDS023
OEM Part #33-00888-0-001

ELECTRODE SPACER

- 18 per package
- Material: Polypropylene, natural color
- Included in: PM-2 Kit (RPI Part #SDK021)

Fits: Chamber Assembly
Models: 100S

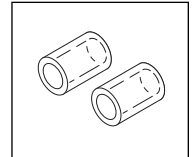


RPI Part #SDS013
OEM Part #33-51158-0-001

SPACER (ELECTRODE)

- 6 per package
- Material: Delrin
- Includes: Mounting screws
- Included in: PM-2 Kit (RPI Part #SDK003)

Fits: Electrode Assembly
Models: NX



RPI Part #SDS015
OEM Part # (No OEM Part # Available)

SLEEVE GASKET

- 2 per package
- Material: Silicone
- Size: .125" ID x .188" OD x .275" lg.
- Included in: PM-2 Kit (RPI Part #SDK003).

Fits: Air Pump
Models: NX

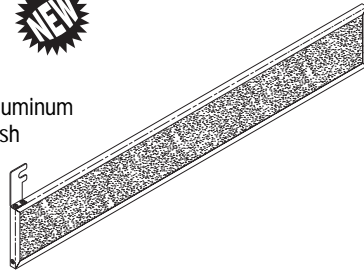
RPI Part #SDF001
OEM Part #25-52153-001



AIR FILTER (BASE)

- Size: 19.30" lg. x 2.84" wide
- Material: 45 PPI Uni-Foam, aluminum frame and stainless steel mesh
- Included in: PM-2 Kit (RPI Part #SDK003)

Fits: Base Module
Models: NX



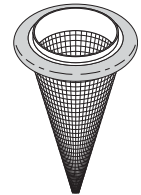
RPI Part #SDF017
OEM Part #100147-01



CONICAL SCREEN FILTER

- Material: 80 Mesh stainless steel screen with Viton (FKM) O-ring.
- Included in: PM-2 kit (RPI Part #SDK003)

Fits: Vacuum Pump Assembly
Models: NX



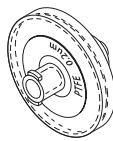
RPI Part #SDF025
OEM Part #25-50703-001



AIR FILTER

- 3 per package
- 0.2 micron, 25mm
- Ports: Luer lock
- Included in: PM-2 Kit (RPI Part #SDK003)

Fits: Delivery System
Models: NX



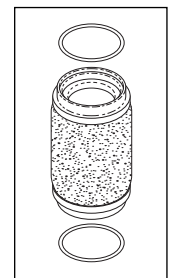
RPI Part #SDF002
OEM Part #25-08560-001



OIL MIST FILTER (RED)

- Size: 2.90" OD x 5" lg.
- Includes: (2) O-rings
- Included in: PM-1 Kit (RPI Part #SDK020) and PM-2 Kit (RPI Part #SDK003)

Fits: Vacuum Pump Assembly
Models: NX & 100S



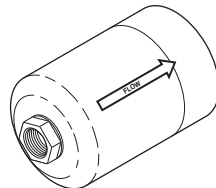
RPI Part #SSF011
OEM Part #25-51198-001



STERILE AIR FILTER

- 0.2 micron
- Size: 2.60" OD x 3.80" lg.; Ports: 3/8" FPT
- 75mm filter media capsule
- Included in: PM-2 Kit (RPI Part #SDK003) and PM-2 Kit (RPI Part #SDK021)

Fits: Air Intake Line
Models: NX



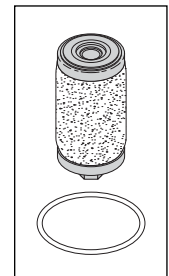
RPI Part #SDF022
OEM Part #25-04351-001



OIL MIST FILTER

- 0.3 micron.
- Material: Non-woven fabric
- Size: .82" OD x 1.54" lg.
- Includes: Bowl O-ring
- Included in: PM-2 Kit (RPI Part #SDK021)

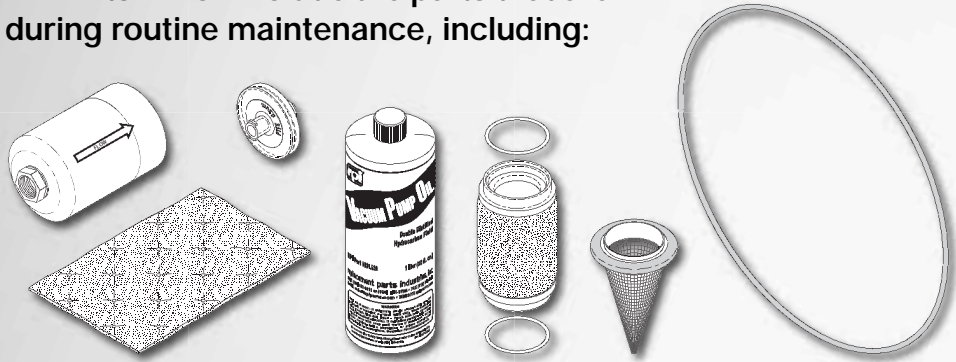
Fits: Mist Trap
Models: 100S



INTRODUCING A NEW LINE OF PARTS TO FIT STERRAD NX & 100S STERILIZATION SYSTEMS!

RPI Now offers three new PM Kits which include the parts that are most frequently replaced during routine maintenance, including:

- Door Seals
- Shelf Supports
- Oil Mist Filters
- Air Filters
- Vacuum Pump Oil
- Absorbant Pads
- PVC Tubing
- and many more!



New Line of Parts to fit Sterrad NX & 100S Sterilization Systems!

ADDRESS SERVICES REQUESTED

PERMITTED NO. 2399
VAN NUYS, CA
U.S. POSTAGE PAID
PRESORTED STANDARD

replacement parts industries, inc.
20338 Corisco Street • Chatsworth, California • 91311



RPI Part #RPL926
OEM Part #37-00579-003

VACUUM PUMP OIL

- 1 liter (32 fl. oz.) bottle
- High grade equivalent to Alcatel 300
- Includes: Yorker spout
- Included in: PM-1 Kit (RPI Part #SDK020), PM-2 Kit (RPI Part #SDK003)

Fits: Vacuum Pump Assembly

Models: NX

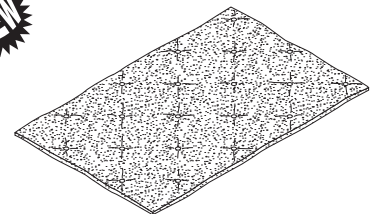


RPI Part #RPB939
OEM Part # (No OEM Part # Available)

BOTTLE (1 Liter / 32 fl. oz.)

- 3-3/4" OD x 8.00" tall
- Material: HDPE plastic
- Can be used for used oil collection
- Included in: PM-2 Kit (RPI Part #SDK003) and PM-2 Kit (RPI Part #SDK020).
- Also available: Disposable Bag (RPI Part #RPB838)

Models: NX & 100S



RPI Part #RPP958
OEM Part # (No OEM Part # Available)

ABSORBANT PAD

- 3 per package
- Size: 9-1/4" x 14-1/2"
- Can be used for oil drip collection and spills
- Included in: PM-2 Kit (RPI Part #SDK003) and PM-1 Kit (RPI Part #SDK020)

Models: NX & 100S