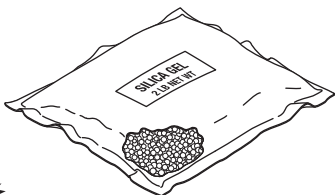




# More New Parts to fit Dental Compressors

For more information about the parts listed in this flyer, see our website [www.rpiparts.com](http://www.rpiparts.com)

## DESICCANTS



RPI Part #CMD091  
OEM Part # See Chart on Back Page

**DESICCANT**  
• Sold in 2 lb. bag  
• Material: Grade 20 G Silica Gel  
**Fits:** Desiccant Tank



RPI Part #CMD093  
OEM Part # See Chart on Back Page

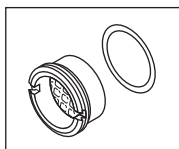
**DESICCANT**  
• Sold in 2 lb. bag  
• Material: Activated Alumina  
**Fits:** Desiccant Tank



RPI Part #CMD094  
OEM Part # See Chart on Back Page

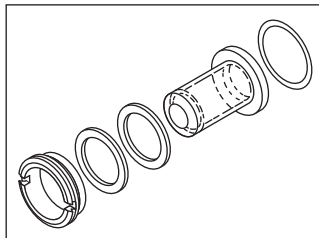
**DESICCANT**  
• Sold in 2 lb. bag  
• Material: Molecular Sieve  
**Fits:** Desiccant Tank

## SIGHT GLASSES



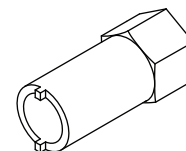
RPI Part #CMK098  
OEM Part # See Chart on Back Page

**SIGHT GLASS KIT**  
• Steel retainer body with built in sight glass;  
1-1/8 - 12 thread; Includes O-Ring Seal  
**Fits:** All Copeland head lubricated compressors



RPI Part #CMK097  
OEM Part # See Chart on Back Page

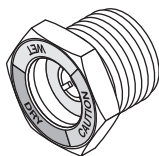
**SIGHT GLASS**  
• Includes 1-1/8 - 12 threaded Retainer Nut, Sight Glass, O-ring, Fiber and Aluminum Gaskets  
**Fits:** Copeland head lubricated compressors



RPI Part #RPT705  
OEM Part # See Chart on Back Page

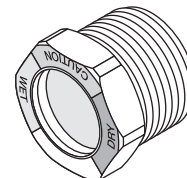
**SIGHT GLASS TOOL**  
• For easy removal and installation of sight glasses  
**Fits:** All Copeland head lubricated compressors

## MOISTURE INDICATORS - Also available, 1/4" Teflon Thread Sealing Tape (RPI Part #RPT579)



RPI Part #CMIO77  
OEM Part # See Chart on Back Page

**MOISTURE INDICATOR**  
• 1/2 MPT  
**Fits:** Manifold Block Assembly



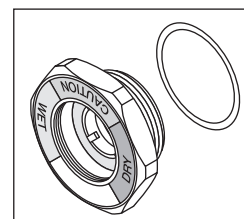
RPI Part #CMIO79  
OEM Part # See Chart on Back Page

**MOISTURE INDICATOR**  
• 3/4 MPT  
**Fits:** Manifold Block Assembly



RPI Part #CMIO78  
OEM Part # See Chart on Back Page

**MOISTURE INDICATOR**  
• 1/4 MPT  
**Fits:** Manifold Block Assembly



RPI Part #CMIO81  
OEM Part # See Chart on Back Page

**MOISTURE INDICATOR**  
• 15/16-20 threads  
• Includes O-ring seal  
**Fits:** Manifold Block Assembly



replacement parts industries, inc.

CALL (800) 221-9723 • FAX (818) 882-7028 • EMAIL [order@rpiparts.com](mailto:order@rpiparts.com) • WEBSITE [www.rpiparts.com](http://www.rpiparts.com)

The above parts are manufactured by Replacement Parts Industries, Inc. to fit the equipment noted. All product names used in this document are trademarks or registered trademarks of their respective holders. WEB 01/10

## PARTICLE FILTER ASSEMBLIES

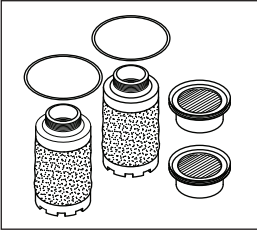
## COALESCING FILTER ASSEMBLIES

Norgren Brand	Wilkerson Brand
<p><b>NEW</b></p> <p>RPI Part #CMI096 Differential Pressure Indicator</p> <p>RPI Part #CME083 Particle Filter Element</p> <p>RPI Part #CMA082 OEM Part # See Chart on Back Page</p> <p><b>PARTICLE FILTER ASSEMBLY</b></p> <ul style="list-style-type: none"> <li>• Norgren brand F73</li> </ul> <p><b>Fits:</b> Compressor Output Manifold / Wall Mount</p>	<p><b>NEW</b></p> <p>RPI Part #CMI095 Differential Pressure Indicator</p> <p>RPI Part #CME085 Particle Filter Element</p> <p>RPI Part #CMA084 OEM Part # See Chart on Back Page</p> <p><b>PARTICLE FILTER ASSEMBLY</b></p> <ul style="list-style-type: none"> <li>• Wilkerson brand F18</li> </ul> <p><b>Fits:</b> Compressor Output Manifold / Wall Mount</p>
<p>RPI Part #CME083 OEM Part # See Chart on Back Page</p> <p><b>PARTICLE FILTER ELEMENT</b></p> <ul style="list-style-type: none"> <li>• 5 micron filter element</li> <li>• Includes bowl O-ring</li> </ul> <p><b>Fits:</b> Norgren brand F73 style Particle Filter Assembly</p>	<p>RPI Part #CME085 OEM Part # See Chart on Back Page</p> <p><b>PARTICLE FILTER ELEMENT</b></p> <ul style="list-style-type: none"> <li>• 5 micron filter element</li> <li>• Includes bowl O-ring</li> </ul> <p><b>Fits:</b> Wilkerson brand F18 &amp; M18 Particle Filter Assembly</p>
<p>RPI Part #CMI096 OEM Part # See Chart on Back Page</p> <p><b>DIFFERENTIAL PRESSURE INDICATOR</b></p> <p><b>Fits:</b> Norgren brand F73 style Particle Filter Assembly</p>	<p>RPI Part #CMI095 OEM Part # See Chart on Back Page</p> <p><b>DIFFERENTIAL PRESSURE INDICATOR</b></p> <p><b>Fits:</b> Wilkerson brand B18, F18 &amp; M18 assemblies</p>
<p>RPI Part #CMB099 OEM Part # See Chart on Back Page</p> <p><b>MOUNTING BRACKET</b></p> <p><b>Fits:</b> Norgren brand F73 style Particle Filter Assembly</p>	<p>RPI Part #CMB100 OEM Part # See Chart on Back Page</p> <p><b>MOUNTING BRACKET</b></p> <p><b>Fits:</b> Wilkerson brand F18 &amp; M18 assemblies</p>

Wilkerson Brand 5 oz.	Wilkerson Brand 10 oz.
<p>RPI Part #CMI015 Differential Pressure Indicator</p> <p><i>You choose the Filter Element that best suits your needs:</i></p> <ul style="list-style-type: none"> <li>• <b>CMK024</b> Type C; 0.01 micron Wilkerson brand</li> <li>• <b>CMK005</b> Type B; 0.5 micron Wilkerson brand</li> <li>• <b>CMK026</b> Type C; 0.01 micron Generic brand</li> <li>• <b>CME089</b> <b>NEW</b> Type D; 0.003 micron Wilkerson brand</li> </ul> <p>RPI Part #CMF016 Auto Drain Float</p> <p>RPI Part #CMA021 OEM Part # See Chart on Back Page</p> <p><b>COALESCING FILTER ASSY. (5 oz.)</b></p> <ul style="list-style-type: none"> <li>• Wilkerson brand M16</li> </ul> <p><b>Fits:</b> Compressor Output Manifold / Wall Mount</p>	<p>RPI Part #CMI015 Differential Pressure Indicator</p> <p><i>You choose the Filter Element that best suits your needs:</i></p> <ul style="list-style-type: none"> <li>• <b>CMK025</b> Type C; 0.01 micron Wilkerson brand</li> <li>• <b>CMK006</b> Type B; 0.5 micron Wilkerson brand</li> <li>• <b>CMK027</b> Type C; 0.01 micron Generic brand</li> <li>• <b>CME090</b> <b>NEW</b> Type D; 0.003 micron Wilkerson brand</li> </ul> <p>RPI Part #CMF016 Auto Drain Float</p> <p>RPI Part #CMA022 OEM Part # See Chart on Back Page</p> <p><b>COALESCING FILTER ASSY. (10 oz.)</b></p> <ul style="list-style-type: none"> <li>• Wilkerson brand M26</li> </ul> <p><b>Fits:</b> Compressor Output Manifold / Wall Mount</p>
<p>RPI Part #CME089 OEM Part # See Chart on Back Page</p> <p><b>CARBON FILTER ELEMENT</b></p> <ul style="list-style-type: none"> <li>• Filter type D; .003 micron 5 oz.</li> <li>• Includes bowl O-ring and flat gasket</li> </ul> <p><b>Fits:</b> Wilkerson brand M16 Coalescing Filter Assemblies</p>	<p>RPI Part #CME090 OEM Part # See Chart on Back Page</p> <p><b>CARBON FILTER ELEMENT</b></p> <ul style="list-style-type: none"> <li>• Wilkerson brand</li> <li>• Filter type D; .003 micron 10 oz.</li> </ul> <p><b>Fits:</b> Wilkerson brand M26 Filter Assembly</p>
<p>RPI Part #CMB087 OEM Part # See Chart on Back Page</p> <p><b>MOUNTING BRACKET</b></p> <p><b>Fits:</b> Wilkerson brand F16 &amp; M16 Filter Assemblies</p>	<p>RPI Part #CMB088 OEM Part # See Chart on Back Page</p> <p><b>MOUNTING BRACKET</b></p> <p><b>Fits:</b> Wilkerson brand F26 &amp; M26 Coalescing Filter Assemblies</p>
<p>RPI Part #CMC086 OEM Part # See Chart on Back Page</p> <p><b>BLANK COVER</b></p> <ul style="list-style-type: none"> <li>• Wilkerson brand</li> </ul> <p><b>Fits:</b> Wilkerson brand M16 &amp; M26 Filter Assys.</p>	

## COMPRESSOR PM KIT, FILTERS AND ELEMENTS

**NEW**




**RPI Part #CMK076**  
**OEM Part #** See Chart on Back Page

**COMPRESSOR PM KIT**

- Includes (1) Coalescing Filter Element (RPI Part #CME043), (1) Coalescing Filter Element (RPI Part #CME044) and (2) Air Filter Element (RPI Part #CME067)

---

**NEW**



**RPI Part #CME043**  
**OEM Part #** See Chart on Back Page


**COALESCING FILTER ELEMENT**

- Wilkerson brand
- Type B; .5 micron
- Includes O-ring

**Fits:** Coalescing Filter Assembly

---

**NEW**



**RPI Part #CME044**  
**OEM Part #** See Chart on Back Page


**COALESCING FILTER ELEMENT**

- Wilkerson brand
- Type C; 0.01
- Includes O-ring

**Fits:** Coalescing Filter Assembly

---

**NEW**



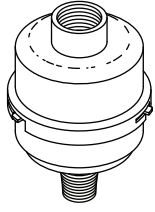
**RPI Part #CME067**  
**OEM Part #** See Chart on Back Page

**AIR FILTER ELEMENT**

- 2 micron paper filter

**Fits:** Air Filter Assembly

**NEW**




**RPI Part #CMA068**  
**OEM Part #**  
 See Chart on Back Page

**AIR FILTER ASSEMBLY**

- Includes Air Filter Element (RPI Part #CME067)

**Fits:** 1 HP Compressor Head

**NEW**



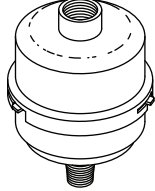
**RPI Part #CME067**  
**OEM Part #** See Chart on Back Page

**AIR FILTER ELEMENT**

- 2 micron paper filter

**Fits:** Air Filter Assembly

**NEW**




**RPI Part #CMA070**  
**OEM Part #**  
 See Chart on Back Page

**AIR FILTER ASSEMBLY**

- Includes Air Filter Element (RPI Part #CME069)

**Fits:** For use on 2 HP Compressor Head

**NEW**



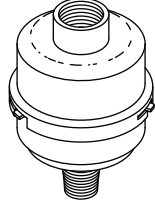
**RPI Part #CME069**  
**OEM Part #** See Chart on Back Page

**AIR FILTER ELEMENT**

- 2 micron paper filter

**Fits:** Air Filter Assembly

**NEW**




**RPI Part #CMA072**  
**OEM Part #**  
 See Chart on Back Page

**AIR FILTER ASSEMBLY**

- Includes Air Filter Element (RPI Part #CME080)

**Fits:** For use on 1 HP Compressor Head

**NEW**



**RPI Part #CME080**  
**OEM Part #** See Chart on Back Page

**AIR FILTER ELEMENT**

- 25 Micron polyester filter

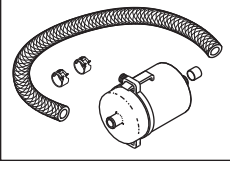
**Fits:** Air Filter Assembly

**RPI Part #CMK003**  
**OEM Part #**  
 See Chart on Back Page

**FRESH AIR INTAKE FILTER KIT**

- Includes all parts as shown

**Fits:** Compressor Head

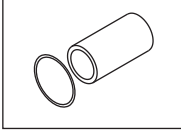


**RPI Part #CME004**  
**OEM Part #**  
 See Chart on Back Page

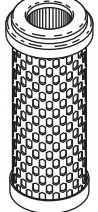
**REPLACEMENT FILTER ELEMENT**

- Replacement Filter Element for (RPI Part #CMK003) only
- Includes O-ring

**Fits:** Fresh Air Intake Filter Kit (RPI Part #CMK003)



**NEW**



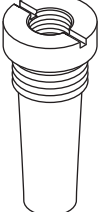
**RPI Part #CME071**  
**OEM Part #** See Chart on Back Page

**AIR FILTER ELEMENT**

- Used for Fresh Air intake
- Includes Rubber Air Filter Cap

**Fits:** Compressor heads

**NEW**



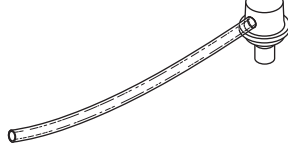
**RPI Part #CMF075**  
**OEM Part #** See Chart on Back Page

**INTAKE FILTER**

- 5 micron polyester filter

**Fits:** Cylinder head

**NEW**



**RPI Part #CMF073**  
**OEM Part #** See Chart on Back Page

**AIR INTAKE FILTER**

- 5 micron polyester filter

**Fits:** Compressor Head Assembly



Table with 10 columns: RPI PART #, DESCRIPTION, AIR TECHNIQUES, APOLLO/MIDMARK, DCI/MDT McKESSON, DENTAL EZ CUSTOM AIR/RAMVAC, JUN-AIR, MATRX/MIDMARK, MIDMARK, TECH WEST/TURBINE, IND. Rows include various filter assemblies, mounting brackets, desiccants, and moisture indicators.

New Parts are shown in Bold Face type

\*OEM # represents the Coalescing Filter Assembly which includes the filter.

See our website www.rpiparts.com for specific models these parts fit.

Don't forget ... RPI has these parts and more to fit Dental Compressors!

- Air Intake Filters and Elements
Coalescing Filter Assemblies
Coalescing Filter Elements
Compressor Oil
Cooling Fans
Fresh Air Intake Filters
Purge Filters and Mufflers
Pressure Switches and Valves
Pressure Gauges
Run Capacitors
Safety Valves
Start Boxes
Start Capacitors
Thermal Protector Assemblies